



# 22 Caliber Bolt-Action Rifle 2006 to Current

# T-Bolt<sup>22</sup>

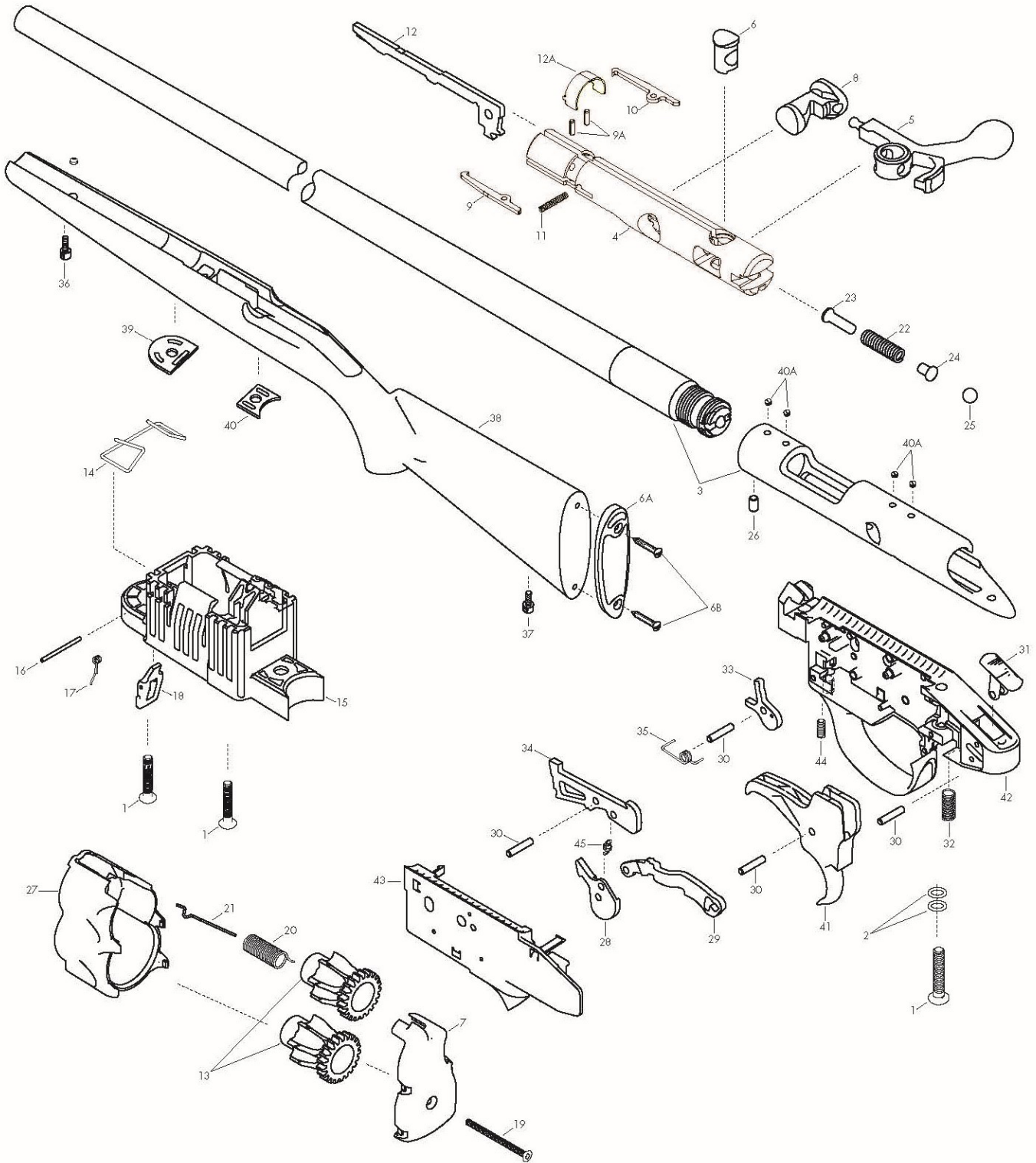
IMPORTANT: When ordering, list part number, part name, gun gauge/caliber and serial number. Please specify grade. Prices F.O.B. point of shipment – subject to change without notice. Prices effective January 1, 2024.

Ref. #	Part #	Description	MSRP (US\$)
1	B2569012	ACTION MOUNTING SCREW (2)	\$7.00
2	B2569024	TRIGGER HOUSING SCREW WASHER	\$7.00
4	B2569044	BOLT BODY NEW STYLE	\$138.00
4	B2569020	BOLT BODY OLD STYLE	\$86.25
5	B2569014	BOLT HANDLE	\$27.75
6	B2569018	BOLT PIN	\$3.50
8	B2569019	CROSS BOLT	\$10.50
8	B2569084	CROSS BOLT LH	\$25.00
9	* B2569045	EXTRACTOR LEFT	\$5.75
10	* B2569046	EXTRACTOR RIGHT	\$5.75
11	B2569048	EXTRACTOR SPRING	\$3.00
12	B2569021	FIRING PIN	\$17.25
12	B2569085	FIRING PIN LH	\$27.00
14	B2569007	MAGAZINE EJECT SPRING	\$3.50
15	B2569008	MAGAZINE FRAME	\$14.00
15	B2569069	MAGAZINE FRAME .17 HMR & .22 WMR	\$14.00
16	B2569011	MAGAZINE FRAME PIN	\$3.50
17	B2569009	MAGAZINE FRAME SPRING	\$3.50
18	B2569010	MAGAZINE LATCH	\$10.50
22	B2569017	MAINSRING	\$3.50
23	B2569056	MAINSRING PLUNGER (FRONT)	\$3.50
24	B2569057	MAINSRING PLUNGER (REAR)	\$3.50
25	B2569015	MAINSRING SPRING BALL	\$3.50
26	B2569026	ACTION PIN	\$3.50
28	* B2569034	SAFETY BLOCK	\$7.00
29	* B2569033	SAFETY LINK	\$7.00
30	B2569039	SEAR PIN	\$7.00
31	* B2569027	SAFETY SELECTOR	\$10.50
32	* B2569025	SAFETY SPRING	\$3.50
33	* B2569038	SEAR	\$27.75
34	B2569036	SEAR BAR	\$14.00
35	B2569037	SEAR SPRING	\$7.00
36	B357970593	SLING SWIVAL STUD FOR WOOD STOCK (FRONT)	\$5.00
37	BST1423602	SLING SWIVEL STUD FOR SYNTHETIC ALL/ WOOD (REAR)	\$2.50
38	* B2569042	STOCK, SPORTER/HUNTER	\$172.50
38	* B2569060	STOCK, VARMINT MC	\$391.00
38	* B2569065	STOCK, SPORTER COMPOSITE	\$110.00
38	* B2569066	STOCK, VARMINT/TARGET, COMPOSITE	\$135.00
38	* B2569073	STOCK, VARMINT/TARGET, LAMINATE	\$550.00
38	* B2569090	STOCK,VARMINT SPECIAL, GREEN LAMINATE	\$225.00
38	* B2569091	STOCK,VARMINT SPECIAL STAINLESS, GREY LAMINATE	\$225.00
38	* B2569092	STOCK, SPORTER, MAPLE	\$210.00
38	*	STOCK, TARGET, MAPLE	
38	* B2569093	STOCK, TARGET, WALNUT	\$425.00
39	* B2569050	STOCK PLATE FRNONT 1.3MM	\$2.50
39	* B2569051	STOCK PLATE FRNONT 1.6MM	\$2.50
39	* B2569052	STOCK PLATE FRNONT 1.9MM	\$2.50
40	* B2569053	STOCK PLATE REAR 1.3MM	\$2.50
40	* B2569054	STOCK PLATE REAR 1.6MM	\$2.50
40	* B2569055	STOCK PLATE REAR 1.9MM	\$2.50
41	*+ B2569035	TRIGGER	\$34.50
42	* B2569028	TRIGGER HOUSING	\$31.25
43	* B2569029	TRIGGER HOUSING COVER	\$10.50
44	* B2569030	TRIGGER SCREW	\$10.50
45	* B2569032	TRIGGER SPRING	\$3.50

Ref. #	Part #	Description	MSRP (US\$)
46	* B2569024	SEAR BAR PIN	\$7.00
47	B2569039	SAFETY PIN	\$7.00
48	B2569039	TRIGGER PIN	\$7.00
50	B3579136	SLING SWIVAL STUD ESCUTCHEON	\$2.00
12A	B2569049	FIRING PIN RETAINING BAND	\$3.00
40A	BST7631002	SCOPE BASE FILLER SCREW	\$1.25
4A	* B2569058	BOLT ASSEMBLY CURRENT 22LR	\$322.00
4A	* B2569071	BOLT ASSEMBLY .17 HMR & .22 WMR	\$350.00
4A	* B2569082	BOLT ASSEMBLY .17 HMR & .22 WMR LH	\$350.00
4A	* B2569083	BOLT ASSEMBLY .22 LR LH	\$350.00
6A	B2569067	BUTT PLATE COMPOSITE .22 LR	\$40.00
6A	B2569068	BUTT PLATE COMPOSITE .17 HMR & .22 WMR	\$40.00
6B	B2464524	RECOIL PAD SCREW, WOOD STOCK	\$1.00
9A	B2569047	EXTRACTOR PIN	\$3.00
	N/A	THREAD PROTECTOR	
	B2569013	MAGAZINE ASSEMBLY	\$46.00
	B2569086	MAGAZINE COMPLETE,17HMR & 22WMR	\$50.00
	B2569022	EXTRACTOR OLD STYLE	\$7.00
	B2569041	EXTRACTOR NEW STYLE	\$17.25
	B2569040	TRIGGER ASSEMBLY	\$138.00
	B2569094	THREAD PROTECTOR, TRGT	\$14.25
	B2569095	THREAD PROTECTOR, TRGT, STAINL	\$15.75

\* Indicates part must be fitted by Browning Service Department or qualified gunsmith.  
 \*\*\* Factory replacement only. Firearm must be returned.  
 \*\*\*\* These parts are no longer available.  
 + Part may be purchased only by holders of a current, valid Federal Firearms License.  
 NOTE: Unless otherwise indicated, part is interchangeable between gauges/calibers.

NOTE: WHEN ORDERING PARTS USE THE PART NUMBER AND NOT THE SCHEMATIC REFERENCE NUMBER



\*Indicates part must be fitted by Browning Service Department or qualified gunsmith.  
 \*\*\*Factory replacement only. Firearm must be returned.  
 + Part may be purchased only by holders of a current, valid Federal Firearms License.  
 NOTE: Unless otherwise indicated, part is interchangeable between gauges/calibers.