

IMPORTANT: When ordering, list part number, part name, gun gauge/caliber and serial number. Please specify grade. Prices F.O.B. point of shipment – subject to change without notice. Prices effective January 1, 2024.

Ref. #	Part #	Description
1	B111607301	ACTION SPRING
2	B1126523AP	ACTION SPRING PLUNGER
3	B111607401	ACTION SPRING RETAINER (PLASTIC)
3	U1117474AX	ACTION SPRING RETAINER (STEEL) FOR MICRO MIDAS
4	BST41273E2	ACTION SPRING RETAINER PIN (ROLL PIN)
4	B111607602	ACTION SPRING RETAINER PIN (SOLID)
5	* B111606812	ACTION SPRING TUBE
6	* U111758404	BOLT, 12GA
8	B1126391AK	BARREL, 12, 2.75", 28", SPORTING, GLOSS
8	B1126393AK	BARREL, 12, 2.75", 30", SPORTING, GLOSS
8	B1126655WX	BARREL, 12, 3", 22", MOBL, RIFLED
8	B11265633K	BARREL, 12, 3", 22", MOBUC, RIFLED
8	B1126458W7	BARREL, 12, 3", 22", MOINF, RIFLED
8	B1126684RB	BARREL, 12, 3", 22", OVIX, RIFLED
8	B1126455W7	BARREL, 12, 3", 24", MOINF
8	B1126081AK	BARREL, 12, 3", 26", BLACK, GLOSS
8	B1126164EM	BARREL, 12, 3", 26", BLACK, MATTE
8	B1126083AK	BARREL, 12, 3", 28", BLACK, GLOSS
8	B1126167EM	BARREL, 12, 3", 28", BLACK, MATTE
8	B1126085AK	BARREL, 12, 3", 30", BLACK, GLOSS
8	B1126452W7	BARREL, 12, 3.5", 24", MOINF
8	B1126129AK	BARREL, 12, 3.5", 26", BLACK, GLOSS
8	B1126190EM	BARREL, 12, 3.5", 26", BLACK, MATTE
8	B11266188N	BARREL, 12, 3.5", 26", FDE
8	B1126302F9	BARREL, 12, 3.5", 26", MODB
8	B1126445W7	BARREL, 12, 3.5", 26", MOINF
8	B1126132AK	BARREL, 12, 3.5", 28", BLACK, GLOSS
8	B1126191EM	BARREL, 12, 3.5", 28", BLACK, MATTE
8	B11266198N	BARREL, 12, 3.5", 28", FDE
8	B1126303F9	BARREL, 12, 3.5", 28", MODB
8	B1126410WK	BARREL, 12, 3.5", 28", RT MAX-4
10	* U111772703	CARRIER DOG
11	B111628701	CARRIER DOG BUFFER
12	B111628502	CARRIER DOG SPRING STOP (LOWER)
13	* B111613002	BOLT UNLOCKING RAMP
14	U111773601	CARRIER DOG SPRING
15	BST26628AE	CARRIER DOG SPRING ROD
16	B111628401	CARRIER DOG SPRING STOP (UPPER)
17	B111611401	CARRIER LATCH BUFFER (BLUE)
17	B111609101	CARRIER LATCH BUFFER (GREEN)
17	B111611201	CARRIER LATCH BUFFER (WHITE)
18	U111751702	CARRIER LATCH PIN
19	B111609611	CARRIER LATCH PIN CLIP
20	U111751801	CARRIER LATCH SPRING
21	U111772102	CARRIER PIN
22	U111772501	CARRIER PIN RETAINER
23	* U1118096EM	CARTRIDGE STOP/CARRIER LATCH ASSEMBLY, 3"
23	* U1118095EM	CARTRIDGE STOP/CARRIER LATCH ASSEMBLY, 3.5"
24	* U111750501	CARTRIDGE STOP SPRING
25	*** B111620503	DISCONNECTOR
26	*** B111620301	DISCONNECTOR/TRIGGER SPRING
27	*** B111620602	DISCONNECTOR PIN
28	* B111658802	EJECTOR
29	* B111616403	EXTRACTOR
30	* B111616602	EXTRACTOR PIN
32	* B111616701	EXTRACTOR SPRING
33	B111616912	FIRING PIN

Ref. #	Part #	Description
34	B111617122	FIRING PIN RETAINING PIN
35	B111617001	FIRING PIN SPRING
36	B111631701	FOREARM, 12, 3", BLACK
36	B1126577EJ	FOREARM, 12, 3", BLACK LIGHTING, GRADE 2.5
36	B1126161EJ	FOREARM, 12, 3", GRADE 3
36	B1126038EK	FOREARM, 12, 3", HIGH GRADE, SATIN
36	B1126030EK	FOREARM, 12, 3", HUNTER, SATIN GRADE 1 (THIN BORDER)
36	B1126279EK	FOREARM, 12, 3", HUNTER, SATIN, GRADE 1
36	B1126665WX	FOREARM, 12, 3", MOBL (FOR RIFLED BBL)
36	B1126566RA	FOREARM, 12, 3", MOBUC
36	B1126457W8	FOREARM, 12, 3", MOINF
36	B1126341EJ	FOREARM, 12, 3", SPORTING MICRO, GRADE 1
36	B1126683RC	FOREARM, 12, 3.5", AURIC
36	B111631801	FOREARM, 12, 3.5", BLACK
36	B1126307EJ	FOREARM, 12, 3.5", GLOSS GRADE 1
36	B1126146EK	FOREARM, 12, 3.5", HUNTER, SATIN, GRADE 1
36	B1126616WX	FOREARM, 12, 3.5", MOBL
36	B1126451W8	FOREARM, 12, 3.5", MOINF
36	B1126638BD	FOREARM, 12, 3.5", MOSGH
36	B1126612X3	FOREARM, 12, 3.5", RT MAX-5
36	B1126668WL	FOREARM, 12, 3.5", RT MAX-7
36	B1126645BE	FOREARM, 12, 3.5", VINTAGE
39	BST1641003	SLING EYE REAR, BLACK
39	B111696202	SLING EYELET, FOR MAG. CAP, BLACK, MATTE
40	* B1116129AJ	SLIDE LINK
41	* U111754702	SLIDE LINK PIN
42	B11266238N	MAGAZINE CAP, FDE, W/EYELET
42	B111623403	MAGAZINE CAP, MATTE BLACK, W/EYELET
42	B1126412WK	MAGAZINE CAP, MAX-4, W/EYELET
42	B11265553K	MAGAZINE CAP, MOBUC, W/EYELET
42	B1126292F9	MAGAZINE CAP, MODB W/EYELET
42	B1126447W7	MAGAZINE CAP, MOINF, W/ EYELET
42	B1126422WT	MAGAZINE CAP, MOTS, W/EYELET
43	U1117473AA	MAGAZINE FOLLOWER (PLASTIC)
44	B111699801	MAGAZINE SPRING
45	B111623201	MAGAZINE SPRING RETAINER
46	U1117481AA	MAGAZINE THREE SHOTS ADAPTER
47	* B111604002	MAGAZINE TUBE (STEEL)
51	U1117536AN	OPERATING HANDLE
52	* U111754002	OPERATING HANDLE PLUNGER
53	* U111754502	OPERATING HANDLE PLUNGER PIN
54	* U111754401	OPERATING HANDLE PLUNGER SPRING
55	B1126524FN	PISTON ASSEMBLY
57	B111639531	RECAL PAD, HUNTER
57	B111639001	RECOIL PAD FOR SYNTHETIC STOCK
58	BST76079AE	RECOIL PAD SCREW
59	*** B111682102	SAFETY BUTTON
60	*** B111682302	SAFETY PLUNGER
61	*** B111621211	SAFETY PLUNG SPRING
62	*** B111620203	SEAR
63	*** B111620411	SEAR SPRING
64	BST1658101	SIGHT, FRONT, FIELD
65	U111755103	SLEEVE BAR ASSEMBLY, 3"
65	U111755003	SLEEVE BAR ASSEMBLY, 3.5"
66	B111615011	SLEEVE BAR RETURN SPRING
67	B1116029AE	SLIDE BUFFER
68	B1126682RC	STOCK, 12, AURIC

* Indicates part must be fitted by Browning Service Department or qualified gunsmith.
 *** Factory replacement only. Firearm must be returned.
 **** These parts are no longer available.
 + Part may be purchased only by holders of a current, valid Federal Firearms License.
 NOTE: Unless otherwise indicated, part is interchangeable between gauges/calibers.



12 Gauge Autoloading Shotgun

Silver

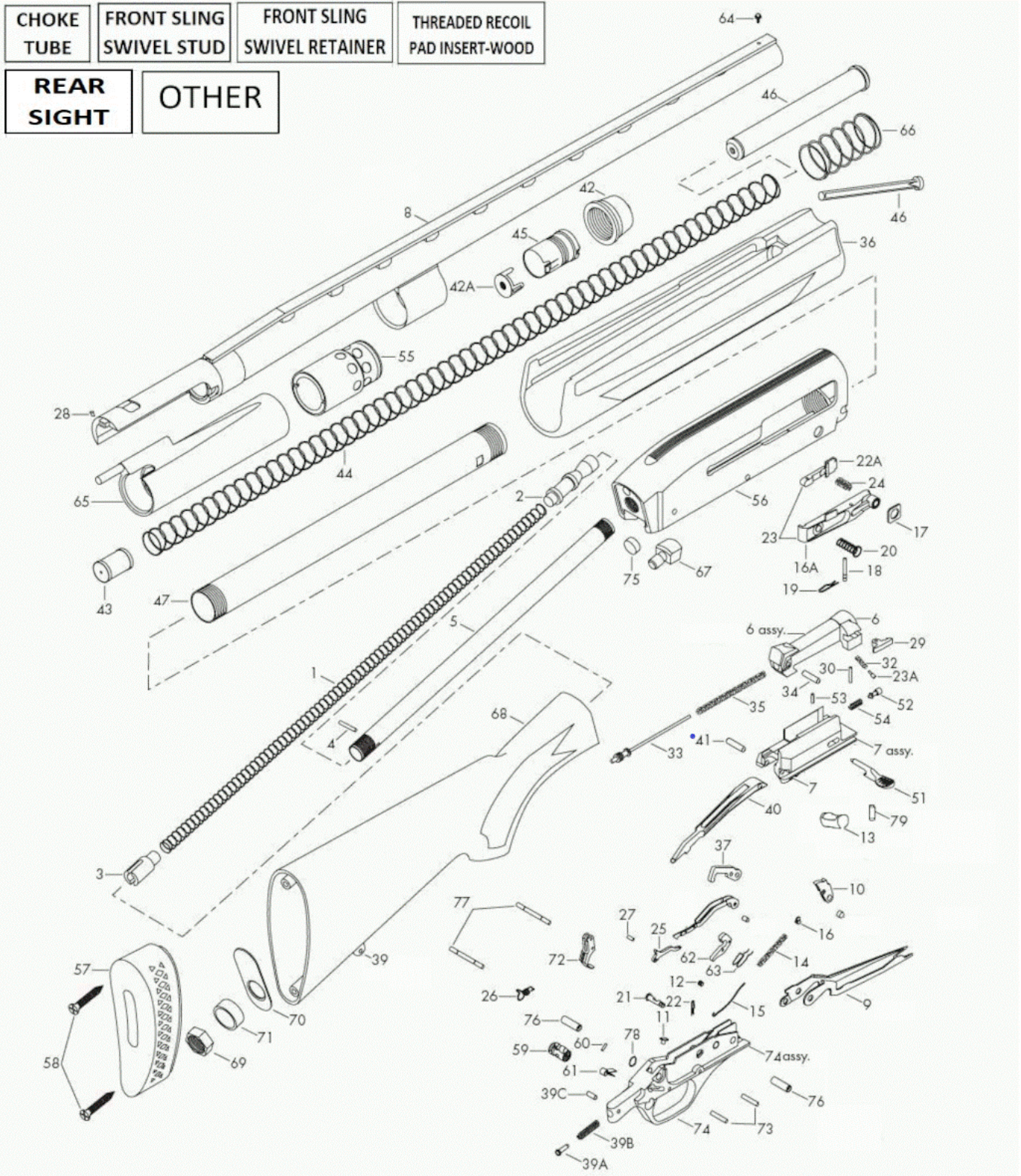
IMPORTANT: When ordering, list part number, part name, gun gauge/caliber and serial number. Please specify grade. Prices F.O.B. point of shipment – subject to change without notice. Prices effective January 1, 2024.

Ref. #	Part #	Description
68	B111636201	STOCK, 12, BLACK
68	B111636203	STOCK, 12, CLASSIC STALKER
68	B1126484EK	STOCK, 12, FIELD, MICRO MIDAS, SATIN, 13" LOP
68	B1126036EK	STOCK, 12, GRADE 3
68	B1126077EK	STOCK, 12, HUNTER/FIELD, GRADE 1
68	B1126575EJ	STOCK, 12, LIGHTNING, GRADE 2.5
68	B1126367AE	STOCK, 12, MICRO, GRADE 1
68	B1126615WX	STOCK, 12, MOBL
68	B1126627WX	STOCK, 12, MOBL, W/FDE SLING EYE
68	B1126558RA	STOCK, 12, MOBUC
68	B1126640BD	STOCK, 12, MOSGH
68	B1126637BD	STOCK, 12, MOSGH, W/FDE SLING EYE
68	B1126611X3	STOCK, 12, RT MAX-5
68	B1126625X3	STOCK, 12, RT MAX-5, W/FDE SLING EYE
68	B1126667WL	STOCK, 12, RT MAX-7
68	B1126389EJ	STOCK, 12, SPORTING, GRADE 1
68	B1126644BE	STOCK, 12, VINTAGE
68	B1126646BE	STOCK, 12, VINTAGE, W/FDE SLING EYE
69	B111608002	STOCK BOLT
70	B1116078AJ	STOCK BOLT PLATE
71	B111608202	STOCK BOLT WASHER
72	B111620803	TRIGGER
73	* B111620902	TRIGGER/SEAR PIN
74	* B1126259WK	TRIGGER GUARD, DUCKS UNLIMITED, CAMO
74	* B1126025AV	TRIGGER GUARD, HUNTER
74	* B1126025F9	TRIGGER GUARD, MODB
74	* B1126025W7	TRIGGER GUARD, MOINF
74	* B1126025WT	TRIGGER GUARD, MOTS
74	* B1126025AT	TRIGGER GUARD, STALKER
75	B111603401	TRIGGER GUARD BUFFER
76	B111621702	TRIGGER GUARD PIN SLEEVE
77	B1126594RX	TRIGGER GUARD PIN, BURNT BRONZE
77	B111621303	TRIGGER GUARD PIN, MATTE BLACK
78	B111621801	TRIGGER GUARD PIN RETAINER
79	* BST10119AX	BOLT UNLOCKING RAMP, PIN
16A	* U1118087EM	CARRIER LATCH, 3"
16A	* U1118084EM	CARRIER LATCH, 3.5"
39A	* B111619802	HAMMER PLUNGER
39B	* B111620001	HAMMER SPRING
39C	* B111620102	HAMMER SPRING PIN
42A	BST1423002	MAGAZINE CAP RETAINER
6 ASSY	* U111758405	BOLT ASSEMBLY, 3"
6 ASSY	* U111760405	BOLT ASSEMBLY, 3.5"
7 ASSY	* U1118040W9	SLIDE ASSEMBLY, 3"
7 ASSY	* U1118132A1	SLIDE ASSEMBLY, 3.5"
74 ASSY	B1126133AV	TRIGGER GUARD ASSEMBLY, HUNTER
74 ASSY	B1126209FE	TRIGGER GUARD ASSEMBLY, MOBU
74 ASSY	B11265653K	TRIGGER GUARD ASSEMBLY, MOBUC, DEER
74 ASSY	B1126448W7	TRIGGER GUARD ASSEMBLY, MOINF
74 ASSY	B1126460W7	TRIGGER GUARD ASSEMBLY, MOINF, DEER
74 ASSY	B1126208FA	TRIGGER GUARD ASSEMBLY, MOSG
74 ASSY	B1126207AT	TRIGGER GUARD ASSEMBLY, STALKER
74 ASSY	B1126442AT	TRIGGER GUARD ASSEMBLY, STALKER DEER

Ref. #	Part #	Description
	* U1118093A1	CARRIER ASSEMBLY
	B111628002	CARRIER DOG PIN
	BST6120101	CHOKE TUBE, INV+, FLUSH, 12, FULL
	BST6120401	CHOKE TUBE, INV+, FLUSH, 12, IMP CYL
	BST6120301	CHOKE TUBE, INV+, FLUSH, 12, MODIFIED
	* U111726102	EJECTOR PIN
	B111633411	GAS O-RING SPACER
	*** B1126595AX	HAMMER AND HAMMER LINK ASSEMBLY
	B111639401	LOCALISATION SPACER (FOR SYNTHETIC STOCK)
	B111623702	SLING EYELET LOCKING CLIP (FOR MAG CAP)

*Indicates part must be fitted by Browning Service Department or qualified gunsmith.
 ***Factory replacement only. Firearm must be returned.
 + Part may be purchased only by holders of a current, valid Federal Firearms License.
 NOTE: Unless otherwise indicated, part is interchangeable between gauges/calibers.

IMPORTANT: When ordering, list part number, part name, gun gauge/caliber and serial number. Please specify grade. Prices F.O.B. point of shipment – subject to change without notice. Prices effective January 1, 2024.



*Indicates part must be fitted by Browning Service Department or qualified gunsmith.
 ***Factory replacement only. Firearm must be returned.
 + Part may be purchased only by holders of a current, valid Federal Firearms License.
 NOTE: Unless otherwise indicated, part is interchangeable between gauges/calibers.