



# 10 Gauge Autoloading Shotgun

# Gold® 10

IMPORTANT: When ordering, list part number, part name, gun gauge/caliber and serial number. Please specify grade. Prices F.O.B. point of shipment – subject to change without notice. Prices effective January 1, 2024.

Ref. #	Part #	Description	MSRP (US\$)
1	B111590001	BARREL, 10,3.5",26" MOSGB	\$450.00
1	B111590002	BARREL, 10,3.5",28" MOSGB	\$450.00
1	B111590003	BARREL, 10,3.5",26" MOBUC	\$450.00
1	B111590004	BARREL, 10,3.5",28" MOBUC	\$450.00
1	B111590005	BARREL, 10,3.5",28" BLACK	\$450.00
1	B1115485	BARREL, 10, 3.5, 28, AURIC	\$450.00
1	B1115484	BARREL, 10, 3.5, 26, AURIC	\$450.00
1	B1115480	BARREL, 10, 3.5, 28, MOSGH	\$450.00
1	B1115479	BARREL, 10, 3.5, 26, MOSGH	\$450.00
2	* B1115008	BOLT, HIGH POLISH	\$107.00
2	* B1115323	BOLT, MATTE BLACK, LIGHT-10	\$107.00
3	* B1115324	BOLT ASSEMBLY, MATTE BLACK	\$164.00
4	B1115122	BOLT CUT OFF	\$23.50
5	B1115016	BLT CUT OFF RETAINING PIN	\$1.75
6	B1115126	BOLT CUT OFF SPRING	\$1.00
7	B1115023	OPERATING HANDLE STALKER	\$20.25
8	B1115028	BOLT HANDLE RETAINER	\$3.00
9	B1115032	BOLT HANDLE RETAINER PIN	\$1.00
10	B1115036	BOLT HANDLE RETAINER SPRING	\$1.00
11	B1115040	BOLT SLIDE, HIGH POLISH	\$133.75
11	B1115325	BOLT SLIDE, MATTE	\$126.50
12	B1115044	BOLT SLIDE LINK	\$43.00
13	B1115048	BOLT SLIDE LINK PIN	\$2.25
14	B1115052	BOLT UNLOCKING PIN	\$2.50
17	B1115060	BUFFER PLATE ASSEMBY	\$23.50
17	B1115055	BUFFER ASSEMBLY	\$46.00
20	B1115068	BUFFER PLATE TOP PIN	\$3.75
22	* B1115082	CARRIER ASSEMBLY, HIGH POLISH	\$74.75
22	* B1115327	CARRIER ASSEMBLY, MATTE	\$74.75
23	* B1115337	CARRIER, MATTE	\$44.75
24	* B1115084	CARRIER LATCH	\$32.25
25	* B1115091	CARRIER LATCH SCREW PIN	\$4.25
27	* B1115100	CARRIER LATCH SPRING OUTER	\$1.00
28	B1115105	CARRIER PAWL	\$27.25
29	B1115108	CARRIER PAWL PIN	\$2.25
31	B1115116	CARRIER SPRING	\$1.75
32	B1115122	CARTRIDGE STOP	\$23.50
33	B1115084	CARTRIDGE STOP SPRING	\$32.25
34	*** B1115134	DISCONNECTOR ARM	\$6.25
35	*** B1115130	DISCONNECTOR ASSEMBLY	\$17.75
35	*** B1115132	DISCONNECTOR	\$10.50
36	* B1221043	DISCONNECTOR PIN	\$1.00
37	B1115155	EXTRACTOR	\$24.25
37	B1115247	EXTRACTOR MATTE	\$24.25
38	B1115159	EXTRACTOR PIN	\$1.00
39	B1115164	EXTRACTOR SPRING	\$1.00
40	B1115170	FIRING PIN	\$14.75
41	B1115174	FIRING PIN RETAINING PIN	\$1.50
42	B1115178	FIRING PIN SPACER	\$3.50
43	B1115182	FIRING PIN SPRING	\$2.25
44	* B111565447	FOREARM, 10, STALKER, BLACK	\$25.00
44	* B1115482	FOREARM, 10, AURIC	\$100.00
44	* B1115477	FOREARM, 10, MOSGH	\$100.00
45	B1115195	FOREARM REINFORCING PLATE	\$6.75
46	B1115199	FOREARM SHOE	\$6.50
47	B1115202	FOREARM SHOE SET SCREW	\$1.00
48	* B1115210	GAS BRAKET SEAL	\$26.25
49	* B1115214	HAMMER	\$17.75

Ref. #	Part #	Description	MSRP (US\$)
50	B1115218	HAMMER PIN	\$2.75
51	B1115221	HAMMER SPRING	\$3.25
52	B1221082	HAMMER PLUNGER/GUIDE	\$2.50
53	B1221086	HAMMER SPRING PIN	\$2.25
54	B1221407	MAGAZINE SPRING RETAINER	\$1.25
55	B111525501	MAGAZINE CAP, MOSGB, W/EYELET	\$28.00
55	B111525502	MAGAZINE CAP, MOBUC, W/EYELET	\$28.00
55	B1115240	MAGAZINE CAP, MATTE BLACK, W/EYELET	\$18.25
55	B1115481	MAGAZINE CAP, 10, MOSGH, W/EYELET	\$28.00
55	B1115486	MAGAZINE CAP, 10, AURIC, W/EYELET	\$28.00
56	B1115242	MAGAZINE FOLLOWER	\$3.00
57	B1115246	MAGAZINE SPRING	\$13.00
58	B1115255	MAGAZINE THREE SHOT ADAPTER	\$5.50
59	B1115260	MAGAZINE TUBE	\$76.00
60	B1115264	PISTON	\$20.25
61	B1115269	PISTON RING	\$13.00
62	B1115274	PISTON ROD	\$17.75
63	B1115284	PISTON ROD RET PIN	\$1.00
64	B1115288	PISTON ROD SPRING	\$1.75
65	B1115292	PISTON SEAL	\$13.75
66	B1115298	PISTON TUBE	\$97.25
68	B1115310	RECEIVER RAMP	\$17.75
69	B1115318	RECOIL SPRING FOLLOWER	\$5.50
70	B1115322	RECOIL SPRING INNER	\$8.00
71	B1115326	RECOIL SPRING OUTER	\$15.25
72	B1115330	RECOIL SPRING TUBE	\$23.50
73	B1115335	RECOIL SPRING TUBE PLUG	\$9.00
74	B1115338	RECOIL SPRING TUBE PLUG PIN	\$1.00
75	B1115342	REINFORCING PLATE	\$6.25
76	B1221204	RIB REINFORCING PIN	\$1.00
77	B1115372	SAFETY PLUNGER	\$1.50
78	* B1115368	SAFETY RT & LT	\$10.50
79	B1115376	SAFETY SPRING	\$1.00
80	B1115380	SAFETY SPRING SCRW	\$1.00
81	*** B1115386	SEAR	\$20.25
82	B1221139	SEAR PIN	\$2.75
83	B1115394	SEAR SPRING	\$1.00
84	B1111431	FRONT SIGHT	\$3.25
85	B1115404	STOCK BOLT	\$1.50
86	B1115412	STOCK BOLT WASHER	\$2.50
87	B1115414	STOCK SPACER PLATE	\$3.00
87	B1115415	BUTT STCK PLATE GOLD (94)	\$3.50
89	B1221329	STOCK BOLT SPACER PLATE PIN	\$2.75
90	B1115428	TRIGGER ADJ SCREW	\$1.00
91	B1115426	TRIGGER STALKER	\$22.25
92	*** B1115434	TRIGGER GUARD	\$56.50
92	*** B1115436	TRIGGER GUARD STALKER	\$56.50
93	B1115450	TRIGGER GUARD PIN	\$8.00
94	B1115458	TRIGGER GUARD PIN RETAINER	\$1.00
95	B1115443	TRIGGER GUARD RAIL LT	\$28.50
96	B1115439	TRIGGER GUARD RAIL RT	\$29.00
97	B1115462	TRIGGER PIN	\$1.25
98	B1221191	TRIGGER SPRING PLUNGER	\$1.25
99	B1115468	TRIGGER SPRING	\$1.00
100	B1221193	TRIGGER SPRING PIN	\$1.00
36A	B1115150	EJECTOR	\$16.50
68A	B1115314	RECEIVER RAMP SET SCREW	\$3.00
74A	BST42039AA	RECOIL PAD, INFLEX II, XL 1.25"	\$25.00

\*Indicates part must be fitted by Browning Service Department or qualified gunsmith.

\*\*\*Factory replacement only. Firearm must be returned.

+ Part may be purchased only by holders of a current, valid Federal Firearms License.

NOTE: Unless otherwise indicated, part is interchangeable between gauges/calibers.

## Browning Gun Parts Price List



# 10 Gauge Autoloading Shotgun

# Gold® 10

IMPORTANT: When ordering, list part number, part name, gun gauge/caliber and serial number. Please specify grade. Prices F.O.B. point of shipment – subject to change without notice. Prices effective January 1, 2024.

Ref. #		Part #	Description	MSRP (US\$)
74A		BST81001AA	RECOIL PAD, INFLEX II, L, 1"	\$15.00
74A		BST81002AA	RECOIL PAD, INFLEX II, M, .75"	\$15.00
74A		BST81003AA	RECOIL PAD, INFLEX II, S, .50"	\$15.00
84A	*	B111560446	STOCK, STALKER, BLACK	\$38.00
84A	*	B1115483	STOCK, 10, AURIC	\$150.00
84A	*	B1115478	STOCK, 10, MOSGH	\$150.00
84A	*	B111560446	STOCK, 10, BLACK	\$38.00
92A		B1115454	TRIGGER GUARD PIN BUSH	\$5.50
		BST35777EX	RECOL PAD SCREW- WOOD STOCK	\$3.00
		BST1423602	REAR SLING SWIVEL STUD Rear	\$2.50
		B111696202	MAGAZINE CAP SLING SWIVEL STUD Magazine	\$3.00
		B111623702	MAGAZINE CAP SLING SWIVEL STUD RETAINER WASHER	\$2.75
		B1115088	CARRIER LATCH SCREW	\$4.50
		B1115091	CARRIER LATCH SCREW PIN (94)	\$4.25
		B1115092	CAR LTCH PIN RET SCRW	\$0.75
		B1115206	GAS BRACKET	\$58.25
		B1115354	RIB POST FRONT	\$4.75
		B1115112	CARRIER PIN	\$1.25
		BST41181EX	RECOIL PAD SCREWS - COMPOSITE STOCK	\$2.00

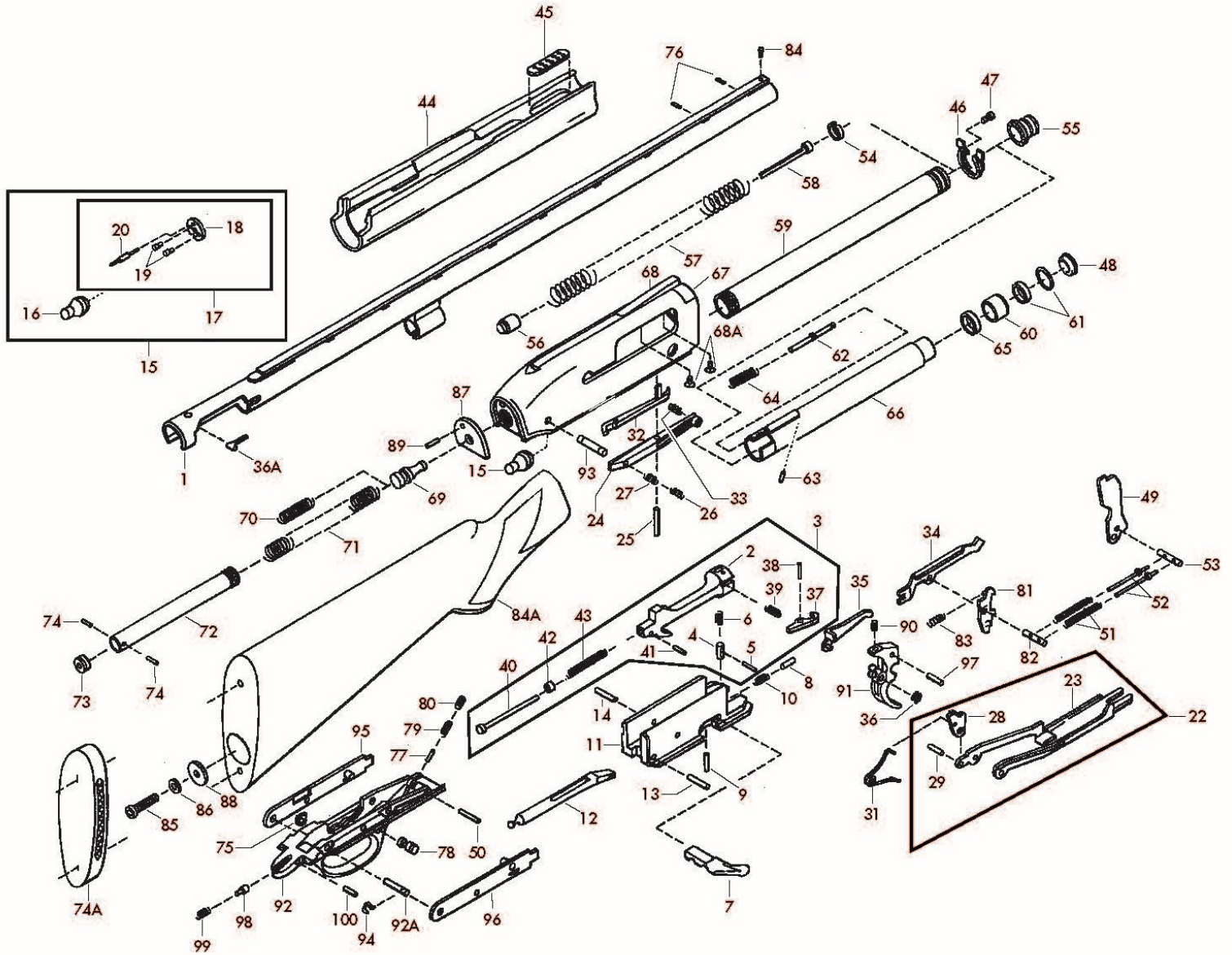
\*Indicates part must be fitted by Browning Service Department or qualified gunsmith.

\*\*\*Factory replacement only. Firearm must be returned.

+ Part may be purchased only by holders of a current, valid Federal Firearms License.

NOTE: Unless otherwise indicated, part is interchangeable between gauges/calibers.

NOTE: WHEN ORDERING PARTS USE THE PART NUMBER AND NOT THE SCHEMATIC REFERENCE NUMBER



\*Indicates part must be fitted by Browning Service Department or qualified gunsmith.  
 \*\*\*Factory replacement only. Firearm must be returned.  
 + Part may be purchased only by holders of a current, valid Federal Firearms License.  
 NOTE: Unless otherwise indicated, part is interchangeable between gauges/calibers.