

IMPORTANT: When ordering, list part number, part name, gun gauge/caliber and serial number. Please specify grade. Prices F.O.B. point of shipment – subject to change without notice. Prices effective January 1, 2024.

Ref. #	Part #	Description
1	B5152758	MAGAZINE ASSEMBLY
2	* B5152448	BARREL MOUNT SCREW, T-15
2	B5152913	BARREL MOUNT SCREW, T-15, NICKEL
3	B5150005	BUFFER ('00-PRESENT)
4	B5152871	FOREARM SCREW, BM RIFLE/BM PLUS/SILHOUETTE
6	B5152911	BARREL THREAD PROTECTOR, BULL BARREL
6	B5150082	BARREL THREAD PROTECTOR, SR, BLUED
7	* B5152703	DISCONNECTOR
7	* B5150503	DISCONNECTOR ASSEMBLY
8	* B5152705	DISCONNECTOR PIN
9	* B5150452	DISCONNECTOR SPRING
10	* B5150454	EXTRACTOR
11	* B5150456	EXTRACTOR SPRING
12	* B5150455	EXTRACTOR SPRING PLUNGER
14	B5150065	FIRING PIN HOUSING ASSEMBLY ('01-PRESENT)
21	B5150464	GRIP SCREW, BLUE
21	B5150056	GRIP SCREW, BLUE, UDX
22	* B5152465	HAMMER, BUCK MARK/CHALLENGER III
23	* B5150468	HAMMER LINK PIN, BUCK MARK/CHALLENGER II-III
24	* B5152466	HAMMER PIN, BUCK MARK/CHALLENGER III
25	B5150026	MAGAZINE EJECTOR PLUNGER ('05-PRESENT)
25	B5150520	MAGAZINE EJECTOR PLUNGER, STANDARD FRAME
26	B5150514	MAGAZINE EJECTOR RETAINING PIN
26	B5150055	MAGAZINE EJECTOR RETAINING PIN, UDX MODELS
27	B5152618	MAGAZINE EJECTOR SPRING, CHALLENGE FRAME
27	B5150521	MAGAZINE EJECTOR SPRING, STANDARD FRAME
28	B5152674	MAGAZINE RELEASE BOTTOM/LATCH
28	B5152766	MAGAZINE RELEASE BOTTOM/LATCH, NICKEL
29	B5152676	MAGAZINE LATCH SPRING
30	B5152478	MAINSRING, BUCK MARK/CHALLENGER III
31	B5152480	MAINSRING PLUNGER, BUCK MARK/CHALLENGER III
32	B5150481	RECOIL SPRING, BUCK MARK/CHALLENGER II-III
34	B5152681	RECOIL SPRING GUIDE RETAINING RING
35	B5152693	SIGHT BASE, ALUMINUM (BASE ONLY)
35	B5150078	SIGHT BASE, ALUMINUM (INCLUDES REAR SIGHT ASSEMBLY)
35	B5152690	SIGHT BASE, CAMPER/STANDARD
35	B5150097	SIGHT BASE, CONTOUR, 5.5", PICATINNY
35	B5152805	SIGHT BASE, CONTOUR/FIELD, 5.5"
35	B5150042	SIGHT BASE, CONTOUR/FIELD, 7.25"
35	B5152914	SIGHT BASE, FIELD TARGET, GRAY, 5.5, WEAVER
35	B5152808	SIGHT BASE, GOLD, 5.5"
35	B5150024	SIGHT BASE, HUNTER SR
35	B5152776	SIGHT BASE, NICKEL, CAMPER/STANDARD
35	B5150121	SIGHT BASE, PICATINNY (INCLUDES REAR SIGHT ASSEMBLY)
35	B5152842	SIGHT BASE, PRO TARGET
35	B5152804	SIGHT BASE, TARGET, 5.5"
35	B5152900	SIGHT BASE, VORTEX VENOM
36	* B5152523	SAFETY ASSEMBLY
36	* B5152768	SAFETY ASSEMBLY, NICKEL
37	* B5150484	SAFETY CLICK PLATE
38	* B5152485	SEAR, BUCK MARK/CHALLENGER III
39	* B5152486	SEAR PIN
40	* B5152487	SEAR SPRING, BM PLUS/BM RIFLE/CHALLENGER III
41	* B5152488	SEAR SPRING PIN, BUCK MARK/CHALLENGER III
42	B5152689	SIGHT, FRONT
42	B5152607	SIGHT, FRONT, CAMPER, BLACK (PLASTIC)

Ref. #	Part #	Description
42	B5150013	SIGHT, FRONT, CAMPER, FIBER-OPTIC (TRUGLO®/Marblez®)
42	B5152763	SIGHT, FRONT, CAMPER/STANDARD, NICKEL
42	B5152806	SIGHT, FRONT, FIELD 5.5"
42	B5150025	SIGHT, FRONT, HUNTER SR, FIBER-OPTIC, .550 (TRUGLO®/Marblez®)
42	B5150120	SIGHT, FRONT, HUNTER, FIBER OPTIC, .600
42	B5150104	SIGHT, FRONT, OCTAGON 6.5" (ACCUSPORT)
42	B5150012	SIGHT, FRONT, PLUS, FIBER-OPTIC (TRUGLO®/Marblez®)
42	B5150105	SIGHT, FRONT, TAPERED OCTAGON 6.5" (ACCUSPORT)
42	B5150092	SIGHT, FRONT, TRUGLO, RED, LOW
42	B5150141	SIGHT, FRONT, CHALLENGE RUBY RED (FO)
44	B5152686	SIGHT BASE SCREW, FRONT ('92-PRESENT)
44	B5152691	SIGHT BASE SCREW, FRONT (PRE '92)
44	B5152695	SIGHT BASE SCREW, FRONT/MIDDLE/REAR, TARGET RIB ('92-PRESENT)
45	B5152696	SIGHT BASE SCREW, REAR, STANDARD (PRE '92)
46	B5152697	SIGHT BASE/RIB SCREW WASHER (SET) (CROWN TOOTH LOCK WASHER)
46	B5152699	SIGHT BASE LOCK-WASH FRT (SPLIT LOCK WASHER)
47	B5152688	SIGHT RETAINING SCREW, FRONT
47	B5152680	SIGHT RETAINING SCREW, PRO-TARGET
48	B5150077	SLIDE, PRACTICAL ('00-PRESENT)
48	B5150036	SLIDE, STAINLESS ('00-PRESENT)
52	* B5152525	STOP OPEN LATCH ASSEMBLY (W/THUMB PIECE)
52	* B5152912	STOP OPEN LATCH ASSEMBLY, NICKEL (W/THUMB PIECE)
53	* B5150497	STOP OPEN LATCH SPRING
54	* B5152698	TRIGGER
54	* B5152898	TRIGGER, ADJUSTABLE
55	* B5152897	TRIGGER LIMIT SCREW
56	* B5150475	TRIGGER PIN
57	B5152754	SIGHT ASSEMBLY, REAR, STANDARD/PRO-TARGET
57	B5150122	SIGHT ASSEMBLY, REAR, WHITELINE .125, PRO-TARGET
58	B5150027	MAGAZINE CUTOFF LINK
59	B5150127	BARREL, BULL, MATTE, SR, (W/ACCESSORY RAIL) 5.5"
59	B5152606	BARREL, CAMPER, BLUE, 5.5" (W/FRONT SIGHT)
59	B5150087	BARREL, CAMPER, BUCKTHORN PINK, 5.5"
59	B5150090	BARREL, CAMPER, BUCKTHORN TAN, 5.5"
59	B5150083	BARREL, CAMPER, SR, 5.5" (W/FRONT SIGHT)
59	B5150037	BARREL, CAMPER, STAINLESS, 5.5" (W/FRONT SIGHT)
59	B5150095	BARREL, CARBON FIBER, 4" (W/ACCESSORY RAIL)
59	B5152612	BARREL, CHALLENGE, BLUE, 5.5" (W/FRONT SIGHT)
59	B5150020	BARREL, CHALLENGE, BLUE, 5.5" ('04) (W/FRONT SIGHT)
59	B5150061	BARREL, CONTOUR LITE, BLUE, 5.5"
59	B5150076	BARREL, CONTOUR TACTICAL, BLUE, 5.5" (W/ACCESSORY RAIL)
59	B5150128	BARREL, CONTOUR, BLUE 4" (W/ACCESSORY RAIL)
59	B5150043	BARREL, CONTOUR, BLUE, 5.5"
59	B5150044	BARREL, CONTOUR, BLUE, 7.25"
59	B5150106	BARREL, CONTOUR, STAINLESS, 5.5"
59	B5150107	BARREL, CONTOUR, STAINLESS, 7.25"
59	B5152803	BARREL, FIELD/TARGET, BLUE, 5.5"
59	B5152907	BARREL, HUNTER SR, W/FRONT SIGHT, 5.9" (W/FRONT SIGHT)
59	B5150021	BARREL, HUNTER, BLUE, 7.25"
59	B5150073	BARREL, LITE, GRAY (FLUTED) 5.5"

* Indicates part must be fitted by Browning Service Department or qualified gunsmith.
 *** Factory replacement only. Firearm must be returned.
 **** These parts are no longer available.
 + Part may be purchased only by holders of a current, valid Federal Firearms License.
 NOTE: Unless otherwise indicated, part is interchangeable between gauges/calibers.

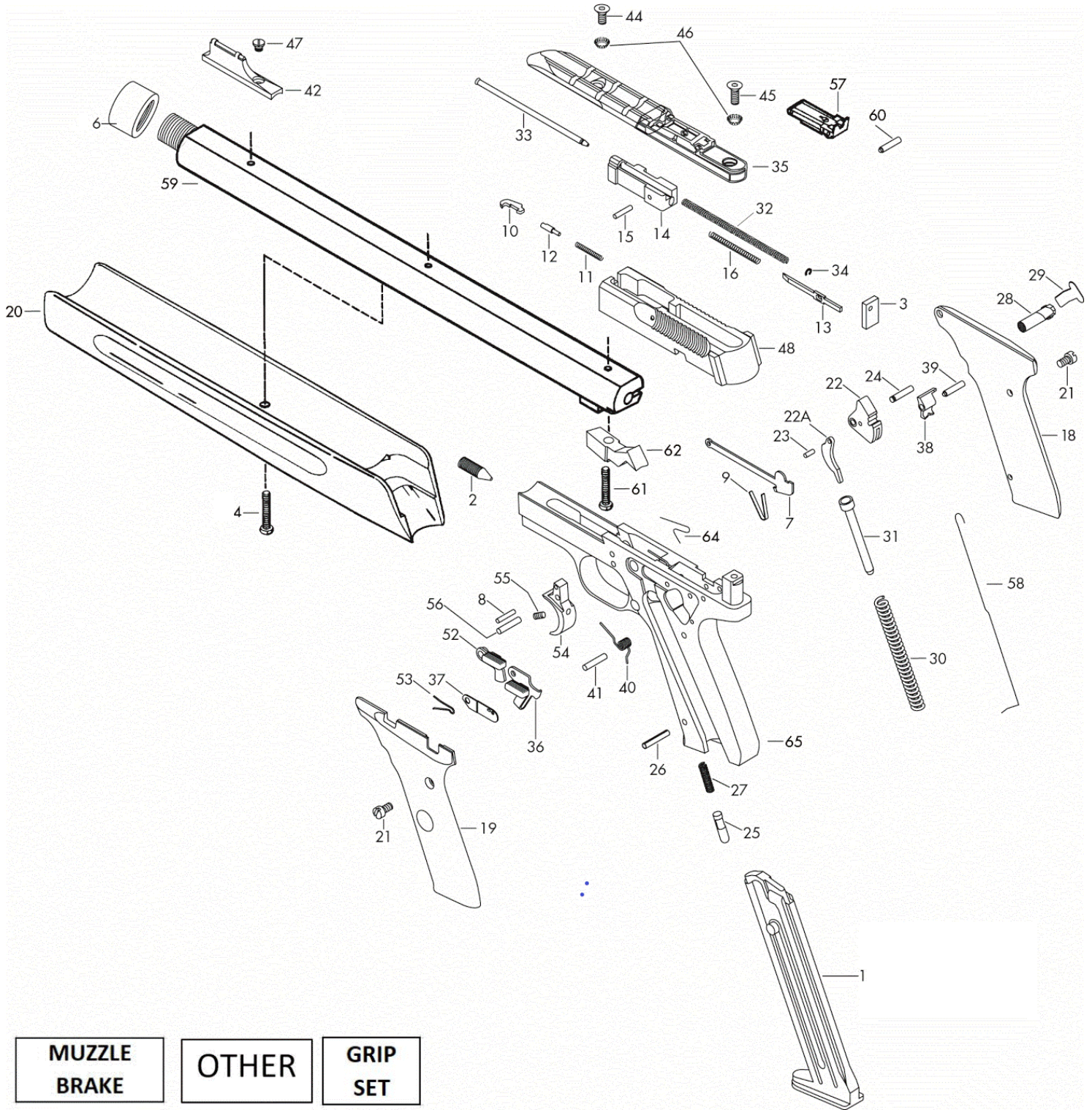
IMPORTANT: When ordering, list part number, part name, gun gauge/caliber and serial number. Please specify grade. Prices F.O.B. point of shipment – subject to change without notice. Prices effective January 1, 2024.

Ref. #		Part #	Description
59		B5150074	BARREL, LITE, GREEN (FLUTED) 5.5"
59		B5150079	BARREL, LITE, GREY (FLUTED) 7.25"
59		B5150063	BARREL, LITE, SPLASH, 5.5"
59		B5150064	BARREL, LITE, SPLASH, 7.25"
59		B5150124	BARREL, LITE, BLACK WITH BM MEDALLION 5.5" (W/ FRONT SIGHT/ACCESSORY RAIL)
59		B5150081	BARREL, MEDALLION ROSEWOOD, 5.5"
59		B5152909	BARREL, MEDALLION ROSEWOOD, STAINLESS, 5.5" (W/FRONT SIGHT)
59		B5152908	BARREL, MEDALLION ROSEWOOD 5.9" (W/FRONT SIGHT)
59		B5152902	BARREL, MICRO BULL, BLUE, SR 4.4" (W/FRONT SIGHT)
59		B5150057	BARREL, MICRO BULL, BLUE, 4"
59		B5150070	BARREL, MICRO BULL, STAINLESS, 4"
59		B5152708	BARREL, MICRO PLUS / STANDARD, BLUE, 4" (W/FRONT SIGHT)
59		B5150038	BARREL, MICRO PLUS / STANDARD, STAINLESS, 4" (W/ FRONT SIGHT)
59		B5150040	BARREL, NRA HG HUNTER, 7.25"
59		B5150041	BARREL, NRA HG, 5.5"
59		B5150039	BARREL, NRA STD, 5.5"
59		B5150102	BARREL, OCTAGON, CHROME, 6.5" (ACCUSPORT)
59		B5150100	BARREL, OCTAGON, STAINLESS, 6.5" (ACCUSPORT)
59		B5152903	BARREL, PLUS VISION, AMERICAN, SR, 5.9" (W/FRONT SIGHT & MUZZLE BRAKE)
59		B5152905	BARREL, PLUS VISION, BLK/BLK, SR, 5.9" (W/FRONT SIGHT & MUZZLE BRAKE)
59		B5152904	BARREL, PLUS VISION, BLK/GLD, SR, 5.9" (W/FRONT SIGHT & MUZZLE BRAKE)
59		B5152910	BARREL, PLUS VISION, BLUE/BLK, SR, 5.9" (W/FRONT SIGHT & MUZZLE BRAKE)
59		B5150030	BARREL, PLUS, BLUE, 5.5"
59		B5150075	BARREL, PLUS, SR, BLUE, 5.5"
59		B5152702	BARREL, STANDARD, BLUE, 5.5" (W/FRONT SIGHT)
59		B5150035	BARREL, STANDARD, STAINLESS, 5.5" (W/FRONT SIGHT)
59		B5150103	BARREL, TAPERED OCTAGON, CHROME, 6.5" (ACCUS-PORT)
59		B5150101	BARREL, TAPERED OCTAGON, STAINLESS, 6.5" (ACCUS-PORT)
60		B5152685	SIGHT BASE PIN, CAMPER / STANDARD / PLUS
60		B5152850	SIGHT BASE PIN, PRO-TARGET
61		N/A	FEED RAMP SCREW
62	***	B5152447	BARREL BLOCK ('92-PRESENT)
62	***	B5152915	BARREL BLOCK ASSY, LITE
64	*	B5150453	EJECTOR
22A	*	B5152467	HAMMER LINK
		B5150096	ACCESSORY RAIL, 4" BARREL
		B5152801	ALLEN KEY, 3/32"
		B5150140	GRIP SET, CHALLENGE, ROSEWOOD
		B5150126	GRIP SET, FIELD TARGET/HUNTER, COCOBOLO, LAMI-NATE
		B515015434	GRIP SET, MEDALLION, ROSEWOOD (W/BM MEDAL-LION)
		B5152666	GRIP SET, PLUS, WALNUT, UNCHECKERED LAMINATE (W/BM MEDALLION)
		B5150098	GRIP SET, UDX, BLACK LABEL, BLACK
		B5150099	GRIP SET, UDX, BLACK LABEL, PINK
		B5150050	GRIP SET, UDX, BLACK, CHECKERED LAMINATE
		B5150054	GRIP SET, UDX, ROSEWOOD, CHECKERED LAMINATE

Ref. #		Part #	Description
		B5150052	GRIP SET, UDX, WALNUT, CHECKERED LAMINATE
		B5150123	GRIP SET, UFX, BLACK-BLACK, RUBBERIZED
		B5150093	GRIP SET, UFX, FUCHSIA/BLACK
		B5150085	GRIP SET, UFX, GRAY/BLACK
		B5150089	GRIP SET, UFX, GREEN/BLACK
		B5150086	GRIP SET, UFX, PINK/BLACK
		B5150034	GRIP SET, URX, BLACK RUBBER
		B5152673	MAGAZINE FOLLOWER
		B5152672	MAGAZINE LOAD ASSIST BUTTON
		B5152677	MAGAZINE SPRING
		B5150151	MUZZLE BRAKE, BLACK, MATTE, (1/2-28)
		B5150153	MUZZLE BRAKE, GRAY, MATTE, (1/2-28)
	*	B5152884	SEAR SCREW STOP PIN (FOR ADJUSTABLE TRIGGER)
	*	B5152883	SEAR SPRING ADJUSTING SCREW (FOR ADJUSTABLE TRIGGER)
		B5150522	SIGHT BASE SPRING (REAR SIGHT)
		B5152779	SIGHT BLADE DETENT PIN, NICKEL (REAR SIGHT)
		B5152845	SIGHT BLADE DETENT SPRING, PRO-TARGET (REAR SIGHT)
		B5152733	SIGHT BLADE RIVET, CAMPER/STANDARD (REAR SIGHT)
		B5152844	SIGHT BLADE SPRING, PRO-TARGET (REAR SIGHT)
		B5152727	SIGHT BLADE, REAR, CAMPER/STANDARD (REAR SIGHT)
		B5152843	SIGHT BLADE, REAR, STANDARD/PRO-TARGET (REAR SIGHT)
		B5152841	SIGHT BLADE, REAR, TARGET/PRO-TARGET (REAR SIGHT)
		B5152846	SIGHT ELEVATOR SCREW (PRO-TARGET) (REAR SIGHT)
		B5152847	SIGHT ELEVATOR SCREW DETENT (PRO-TARGET) (REAR SIGHT)
		B5152848	SIGHT ELEVATOR SCREW DETENT PIN (PRO-TARGET)
		B5152730	SIGHT LEAF ELEVATOR SCREW, CAMPER/STANDARD (REAR SIGHT)
		B5152851	SIGHT LEAF SPRING (PRO-TARGET) (REAR SIGHT)
		B5152687	SIGHT RETAINING PIN (FRONT SIGHT)
		B5152807	SIGHT RETAINING PIN, CONTOUR/FIELD (FRONT SIGHT)
		B5152855	SIGHT WINDAGE RETAINING RING (REAR SIGHT)
		B5152834	SIGHT WINDAGE SCREW (REAR SIGHT)
		B5152854	SIGHT WINDAGE SCREW DETENT SPRING, PRO-TARGET (REAR SIGHT)
		B5152853	SIGHT WINDAGE SCREW DETENT, PRO-TARGET (REAR SIGHT)
		B5152852	SIGHT WINDAGE SCREW, PRO-TARGET (REAR SIGHT)

* Indicates part must be fitted by Browning Service Department or qualified gunsmith.
 *** Factory replacement only. Firearm must be returned.
 **** These parts are no longer available.
 + Part may be purchased only by holders of a current, valid Federal Firearms License.
 NOTE: Unless otherwise indicated, part is interchangeable between gauges/calibers.

NOTE: WHEN ORDERING PARTS USE THE PART NUMBER AND NOT THE SCHEMATIC REFERENCE NUMBER



*Indicates part must be fitted by Browning Service Department or qualified gunsmith.
 ***Factory replacement only. Firearm must be returned.
 + Part may be purchased only by holders of a current, valid Federal Firearms License.
 NOTE: Unless otherwise indicated, part is interchangeable between gauges/calibers.