



Lever-Action 22 Caliber Rifle Grade I and Grade II Models

BL22

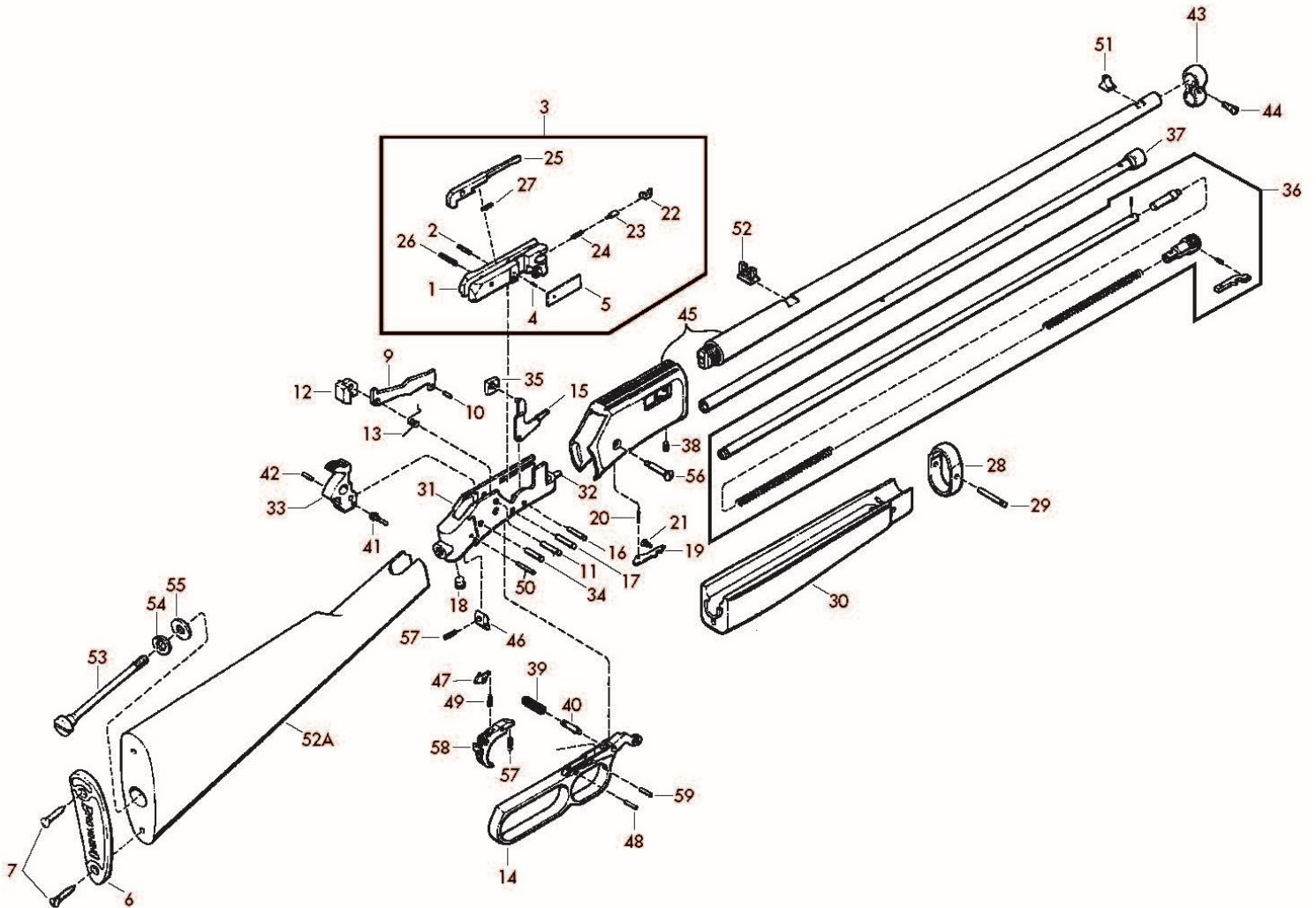
IMPORTANT: When ordering, list part number, part name, gun gauge/caliber and serial number. Please specify grade. Prices F.O.B. point of shipment – subject to change without notice. Prices effective January 1, 2024.

| Ref. # | Part # | Description | MSRP (US\$) |
|--------|--------|---|-------------|
| 1 | * | B2464506 BOLT | \$110.00 |
| 2 | | B2464508 BOLT ACTUATING PIN | \$0.75 |
| 3 | * | B2464510 BOLT ASSEMBLY | \$133.50 |
| 4 | | B2464515 BOLT COVER PIN | \$0.75 |
| 5 | | B2464512 BOLT COVER PLATE | \$1.25 |
| 6 | | B2464520 BUTT PLATE | \$6.50 |
| 7 | | B2464524 BUTT PLATE SCREWS | \$1.00 |
| 8 | | B2464700 BARREL OCTAGON COWBOY 22LR 24" (03) | \$638.75 |
| 9 | | B2464532 CARRIER | \$12.25 |
| 10 | | B2464533 CARRIER GUIDE PIN | \$2.00 |
| 11 | | B2464535 CARRIER PIN | \$1.25 |
| 13 | | B2464540 CARRIER SPRING | \$1.25 |
| 14 | * | B2464545 COCKING LEVER | \$85.00 |
| 14 | * | B2464546 COCKING LEVER GRADE 2 | \$103.00 |
| 15 | | B2464555 COCKING LEVER LINK | \$7.00 |
| 16 | | B2464558 COCKING LEVER LINK PIN | \$1.65 |
| 17 | | B2464548 COCKING LEVER PIN | \$1.25 |
| 18 | | B2464551 COCKING LEVER STOP PLUG | \$1.35 |
| 19 | | B2464562 EJECTOR | \$4.50 |
| 20 | | B2464565 EJECTOR PIN | \$1.10 |
| 21 | | B2464568 EJECTOR SPRING | \$1.10 |
| 22 | | B2464570 EXTRACTOR | \$8.05 |
| 23 | | B2464573 EXTRACTOR PLUNGER | \$1.20 |
| 24 | | B2464576 EXTRACTOR SPRING | \$1.05 |
| 25 | | B2464580 FIRING PIN | \$35.61 |
| 26 | | B2464583 FIRING PIN RETAINING PIN | \$0.60 |
| 27 | | B2464586 FIRING PIN SPRING | \$0.75 |
| 28 | * | B2464594 FOREARM BAND | \$13.65 |
| 28 | * | B2464703 FOREARM BAND COWBOY (03) | \$64.60 |
| 28 | * | B2464715 FOREARM BAND .17 MACH 2 GR 2 | \$96.00 |
| 29 | | B2464597 FOREARM BAND PIN | \$2.25 |
| 30 | * | B2463740 FOREARM, 22LR, GR II, MAPLE | \$64.00 |
| 30 | * | B2464589 FOREARM GRADE I SATIN | \$52.10 |
| 30 | * | B2464590 FOREARM | \$52.10 |
| 30 | * | B2464591 FOREARM GRADE 2 | \$78.00 |
| 30 | * | B2464592 FOREARM GRADE II SATIN | \$133.25 |
| 30 | * | B2464701 FOREARM COWBOY (03) | \$85.45 |
| 30 | * | B2464708 FOREARM AMERICAN FOREST ALAMO '4 | \$180.00 |
| 30 | * | B2464716 FOREARM .17 MACH 2 GR 2 | \$126.00 |
| 30 | * | B2464723 FOREARM GRADE 1.17 MACH 2 | \$78.00 |
| 30 | * | B2464730 FOREARM, MAPLE, GR II | \$99.06 |
| 31 | * | B2464600 FRAME | \$44.25 |
| 32 | | B2464602 FRAME INSERT PIN | \$1.30 |
| 33 | | B2464610 HAMMER | \$24.50 |
| 33 | | B2464539 HAMMER STOP/BLOCK | \$5.90 |
| 34 | | B2464612 HAMMER PIN | \$1.25 |
| 35 | | B2464615 LOCKING BLOCK | |
| 35 | | B2464616 LOCKING BLOCK 17 | \$5.00 |
| 35 | | B2464618 LOCK INSERT | \$5.00 |
| 36 | | B2464624 MAGAZINE ASSEMBLY | \$27.80 |
| 36 | | B2464717 MAGAZINE ASSEMBLY .17 MARCH 2 | \$78.00 |
| 36 | | B2464724 MAGAZINE INNER ASSEMBLY BL-17 | \$60.00 |
| 36 | | B2464720 MAGAZINE EXTENSION PIN BL-17 | \$2.50 |
| 36 | | B2464722 MAGAZINE EXTENSION BL-17 | \$19.00 |
| 36 | | B2464727 MAGAZINE ASSEMBLY, 22LR, MICRO MIDAS | \$31.85 |
| 37 | * | B2464628 MAGAZINE TUBE OUTER | \$22.00 |
| 37 | * | B2464702 MAGAZINE TUBE OUTER COWBOY (03) | \$22.40 |

| Ref. # | Part # | Description | MSRP (US\$) |
|--------|--------|--|-------------|
| 37 | * | B2464726 MAGAZINE TUBE OUTER, MICRO MIDAS | \$25.00 |
| 38 | | B2464630 MAGAZINE TUBE RETAINING SCREW | \$1.35 |
| 38 | | B2464721 MAGAZINE TUBE STOP PIN BL-17 | \$1.25 |
| 39 | * | B2464634 MAINSPRING | \$1.50 |
| 40 | * | B2464638 MAINSPRING FOLLOWER | \$1.25 |
| 41 | * | B2464642 MAINSPRING GUIDE | \$2.35 |
| 42 | | B2464645 MAINSPRING GUIDE PIN | \$1.25 |
| 43 | * | B2464650 MUZZLE CLAMP | \$15.00 |
| 43 | | B2464704 MAGAZINE TUBE BRACKET COWBOY (03) | \$52.95 |
| 43 | | B2464714 MAG TUBE BRACKET .17 MACH 2 GR 2 | \$78.00 |
| 43 | | B2464718 MAGAZINE BAND .17 MARCH 2 | \$24.00 |
| 43 | * | B2464719 MUZZEL CLAMP .17 MARCH 2 | \$24.00 |
| 43 | * | B2464729 MUZZLE CLAMP, 22LR, MICRO MIDAS | \$14.95 |
| 44 | * | B2464653 MUZZLE CLAMP SCREW | \$2.00 |
| 46 | * | B2464660 SEAR | \$4.50 |
| 47 | * | B2464663 SEAR LINK | \$3.00 |
| 48 | | B2464664 SEAR LINK PIN | \$1.25 |
| 49 | | B2464665 SEAR LINK SPRING | \$0.60 |
| 50 | | B2464667 SEAR PIN | \$2.25 |
| 51 | | B2464675 SIGHT FRONT | \$5.55 |
| 52 | * | B2464680 SIGHT ASSEMBLY REAR | \$19.50 |
| 52 | | B2464679 SIGHT TENSION SPRING (REAR) | \$1.00 |
| 52 | | B2464705 SIGHT ELEVATOR COWBOY (03) (REAR) | \$13.50 |
| 53 | | B2464682 STOCK BOLT | \$3.65 |
| 54 | | B2464684 STOCK BOLT LOCK WASHER | \$0.60 |
| 55 | | B2464686 STOCK BOLT WASHER | \$1.25 |
| 56 | | B2464690 TAKE DOWN SCREW | \$3.00 |
| 56 | | B2464691 TAKE DOWN SCREW GRADE 2 | \$5.75 |
| 57 | | B2464696 TRIGGER & SEAR SPRING | \$1.25 |
| 58 | * | B2464692 TRIGGER | \$11.75 |
| 58 | * | B2464693 TRIGGER GRADE 2 | \$16.70 |
| 59 | | B2464695 TRIGGER PIN | \$1.05 |
| 60 | | B2464696 TRIGGER & SEAR SPRING | \$1.25 |
| 52A | * | B2464525 STOCK GRADE I SATIN | \$120.20 |
| 52A | * | B2464528 STOCK GRADE I | \$120.20 |
| 52A | * | B2464529 STOCK GRADE 2 | \$153.25 |
| 52A | * | B2464530 STOCK GRADE II SATIN | \$153.25 |
| 52A | * | B2464707 STOCK AMERICAN FOREST ALAMO '4 | \$432.00 |
| 52A | * | B2464728 STOCK, GR I, GLOSS, MICRO MIDAS | \$120.20 |
| 52A | * | B2464731 STOCK, MAPLE, GR II | \$200.00 |

* Indicates part must be fitted by Browning Service Department or qualified gunsmith.
 *** Factory replacement only. Firearm must be returned.
 **** These parts are no longer available.
 + Part may be purchased only by holders of a current, valid Federal Firearms License.
 NOTE: Unless otherwise indicated, part is interchangeable between gauges/calibers.

NOTE: WHEN ORDERING PARTS USE THE PART NUMBER AND NOT THE SCHEMATIC REFERENCE NUMBER



*Indicates part must be fitted by Browning Service Department or qualified gunsmith.
 ***Factory replacement only. Firearm must be returned.
 + Part may be purchased only by holders of a current, valid Federal Firearms License.
 NOTE: Unless otherwise indicated, part is interchangeable between gauges/calibers.