



Auto-Loading Rifle BAR MKII / LWT & Long / Short Trac



IMPORTANT: When ordering, list part number, part name, gun gauge/caliber and serial number. Please specify grade. Prices F.O.B. point of shipment – subject to change without notice. Prices effective January 1, 2024.

Ref. #	Part #	Description
1	B317600602	ACTION SPRING (ALL)
2	B3177391AJ	ACTION SPRING GUIDE, LONG/SHORT TRAC (PRESS FIT)
2	B3177037AP	ACTION SPRING GUIDE, LONG/SHORT TRAC (THREADED BARREL)
2	B317676002	ACTION SPRING GUIDE, MKII/LWT
4	B3177313A3	BOLT HEAD ASSY. LONG/SHORT TRAC, MAG/WSM (LH)
4	B3177314A3	BOLT HEAD ASSY. LONG/SHORT TRAC, STD. CAL. (LH)
4	B317604705	BOLT HEAD ASSY. MKII/LWT, MAG/WSM
4	B317604515	BOLT HEAD ASSY. MKII/LWT, STD. CAL.
4	B317604704	BOLT HEAD, MKII/LWT, MAG/WSM
4	B317604514	BOLT HEAD, MKII/LWT, STD. CAL.
5	B3177304FP	BOLT COVER, LONG/SHORT TRAC (LH) (MATTE)
5	B3177304AE	BOLT COVER, LONG/SHORT TRAC (LH) (NICKEL)
5	B317676201	BOLT COVER, MKII/LWT & LONG/SHORT TRAC (MATTE)
5	B317675901	BOLT COVER, MKII/LWT & LONG/SHORT TRAC (NICKEL)
5	B3176759FP	BOLT COVER, MKII/LWT & LONG/SHORT TRAC (JEWELLED)
6	B3177040AJ	BOLT RELEASE ASSY. LONG/SHORT TRAC
6	B317678303	BOLT RELEASE ASSY. MKII/LWT (NICKEL)
6	B317678403	BOLT RELEASE ASSY. MKII/LWT (BLUED)
7	B317678702	BOLT RELEASE PIN (ALL)
8	B317678811	BOLT RELEASE POSITIONING SPRING (ALL)
9	B3177697AX	BOLT BODY ASSEMBLY, LONG/SHORT TRAC, MAG. CAL.
9	B3177696AX	BOLT BODY ASSEMBLY, LONG/SHORT TRAC, STD. CAL.
9	B317606405	BOLT BODY ASSEMBLY, MKII/LWT, MAG. CAL.
9	B317606305	BOLT BODY ASSEMBLY, MKII/LWT, STD. CAL.
9	B3177305AX	BOLT BODY, LONG/SHORT TRAC, STD. CAL. (LH)
9	B3177306AX	BOLT BODY, LONG/SHORT TRAC, WSM & MAG. (LH)
9	B317606404	BOLT BODY, MKII/LWT, MAG.
9	B317606304	BOLT BODY, MKII/LWT, STD. CAL.
10	B317606501	BUFFER (ALL)
11	B317677902	BUFFER PLATE (REAR)
12	B317678102	BUFFER PLATE (FRONT)
13	BST7664501	FRONT SIGHT BASE SCREW, MKII/LWT (REAR)
14	BST76079AJ	RECOIL PAD SCREW
16	B317607601	CAM PIN (ALL)
17	B317687412	DISCONNECTOR PIN, (ALL)
18	B317687203	DISCONNECTOR, (ALL)
19	B317682601	DISCONNECTOR SPRING (ALL)
20	BST7609601	EJECTOR RETAINING PIN (ALL)
21	BST7609002	EJECTOR (ALL)
21	B3177315AX	EJECTOR, LONG/SHORT TRAC (LH)
22	B317609901	EJECTOR SPRING (ALL)
22	B3177316AE	EJECTOR SPRING, LONG/SHORT TRAC (LH)
23	B3176103FH	EXTRACTOR (ALL)
23	B3177348A1	EXTRACTOR, LONG/SHORT TRAC (LH)
24	B317610501	EXTRACTOR SPRING (ALL)
25	B3177151AE	FIRING PIN, LONG/SHORT TRACK
25	B317611001	FIRING PIN, MKII/LWT
26	B317611402	FIRING PIN RET PIN
27	B317611701	FIRING PIN SPRING (ALL)
28	B317612402	FOREARM EXCUTCHEON (ALL)
29	B3177192AE	FOREARM, LONG/SHORT TRAC (BLACK COMPOSITE)
29	B317697902	FOREARM, LWT, MAG.
29	B317697602	FOREARM, LWT, STD.
29	B3177108JK	FOREARM, MKII, LONG/SHORT TRAC, GRD1
29	B3176884EH	FOREARM, MKII, LONG/SHORT TRAC, GRD2
29	B3177832EH	FOREARM, MKII, LONG/SHORT TRAC, GRD3
29	B317697102	FOREARM, MKII, MAG.

Ref. #	Part #	Description
		FOREARM, MKII, MAG. CLASSIC ('00)
		FOREARM, MKII, STD. (SATIN)
		FOREARM, MKII, SAFARI ONE MILLIONTH, MAG. GRD3
		FOREARM, MKII, SAFARI ONE MILLIONTH, STD. GRD3
		FOREARM, MKII, STALKER, MAG.
		FOREARM, MKII, STALKER, STD.
		FOREARM, MKII, STD. CAL.
		FOREARM, MKII, STD. CAL., TURKISH WALNUT, GRD3, GLOSS
		FOREARM, MKII, STD. CAL., TURKISH WALNUT, GRD4, GLOSS
		GAS CYLINDER CAP, LONG/SHORT TRAC
		GAS CYLINDER CAP, MKII/LWT
		GAS PISTON, LONG/SHORT TRAC
		GAS PISTON, MKII/LWT
		GAS REGULATOR SCREW LOCK PLUNGER (ALL)
		GAS REGULATOR SCREW LOCK SCREW (ALL)
		GAS REGULATOR GASKET, MKII/LWT
		GAS REGULATOR SCREW (ALL)
		HAMMER (ALL)
		HAMMER PIN BAR (ALL)
		INERTIA PIECE (ALL)
		INERTIA PIECE SPRING (ALL)
		INERTIA PIECE SPRING ROD (ALL)
		MAGAZINE FLOOR PLATE LATCH, (ALL) ('00)
		MAGAZINE FLOOR PLATE, LONG TRAC
		MAGAZINE FLOOR PLATE, MKII/LWT
		MAGAZINE FLOOR PLATE, SHORT TRAC
		MAGAZINE FLOOR PLATE PIVOT PIN, LONG/SHORT TRAC
		MAGAZINE FLOOR PLATE PIVOT PIN, MKII/LWT
		MAGAZINE FLOOR PLATE HINGE SPRING, LONG/SHORT TRAC
		MAGAZINE FLOOR PLATE HINGE SPRING, MKII/LWT
		MAGAZINE FLOOR PLATE LATCH PIN, MKII/LWT
		MAGAZINE FLOOR PLATE LATCH SPRING PLUNGER (ALL)
		MAGAZINE FLOOR PLATE LATCH SPRING, LONG/SHORT TRAC
		MAGAZINE FLOOR PLATE LATCH SPRING, MKII/LWT
		MAGAZINE RETAINING SPRING, LONG/SHORT TRAC
		MAGAZINE RETAINING SPRING, MKII/LWT (NEW STYLE)
		MAGAZINE RETAINING SPRING, MKII/LWT (OLD STYLE)
		MAINSRING GUIDE (ALL)
		MAINSRING GUIDE SUPPORT, FRONT (ALL)
		MAINSRING, RIGHT/LEFT (ALL)
		MAINSRING GUIDE SUPPORT, REAR (ALL)
		OPERATING HANDLE , MKII/LWT (BLUED)
		OPERATING HANDLE , MKII/LWT (NICKEL)
		OPERATING HANDLE, LONG/SHORT TRAC (NICKEL) ('09)
		OPERATING HANDLE LOCK (ALL)
		OPERATING HANDLE LOCKING PIN (ALL)
		OPERATING HANDLE LOCKING SPRING (ALL)
		RECOIL PAD, LONG/SHORT TRAC (LARGE)
		RECOIL PAD, LONG/SHORT TRAC (SMALL)
		RECOIL PAD, MKII/LWT

* Indicates part must be fitted by Browning Service Department or qualified gunsmith.
 *** Factory replacement only. Firearm must be returned.
 **** These parts are no longer available.
 + Part may be purchased only by holders of a current, valid Federal Firearms License.
 NOTE: Unless otherwise indicated, part is interchangeable between gauges/calibers.



Auto-Loading Rifle BAR MKII / LWT & Long / Short Trac



IMPORTANT: When ordering, list part number, part name, gun gauge/caliber and serial number. Please specify grade. Prices F.O.B. point of shipment – subject to change without notice. Prices effective January 1, 2024.

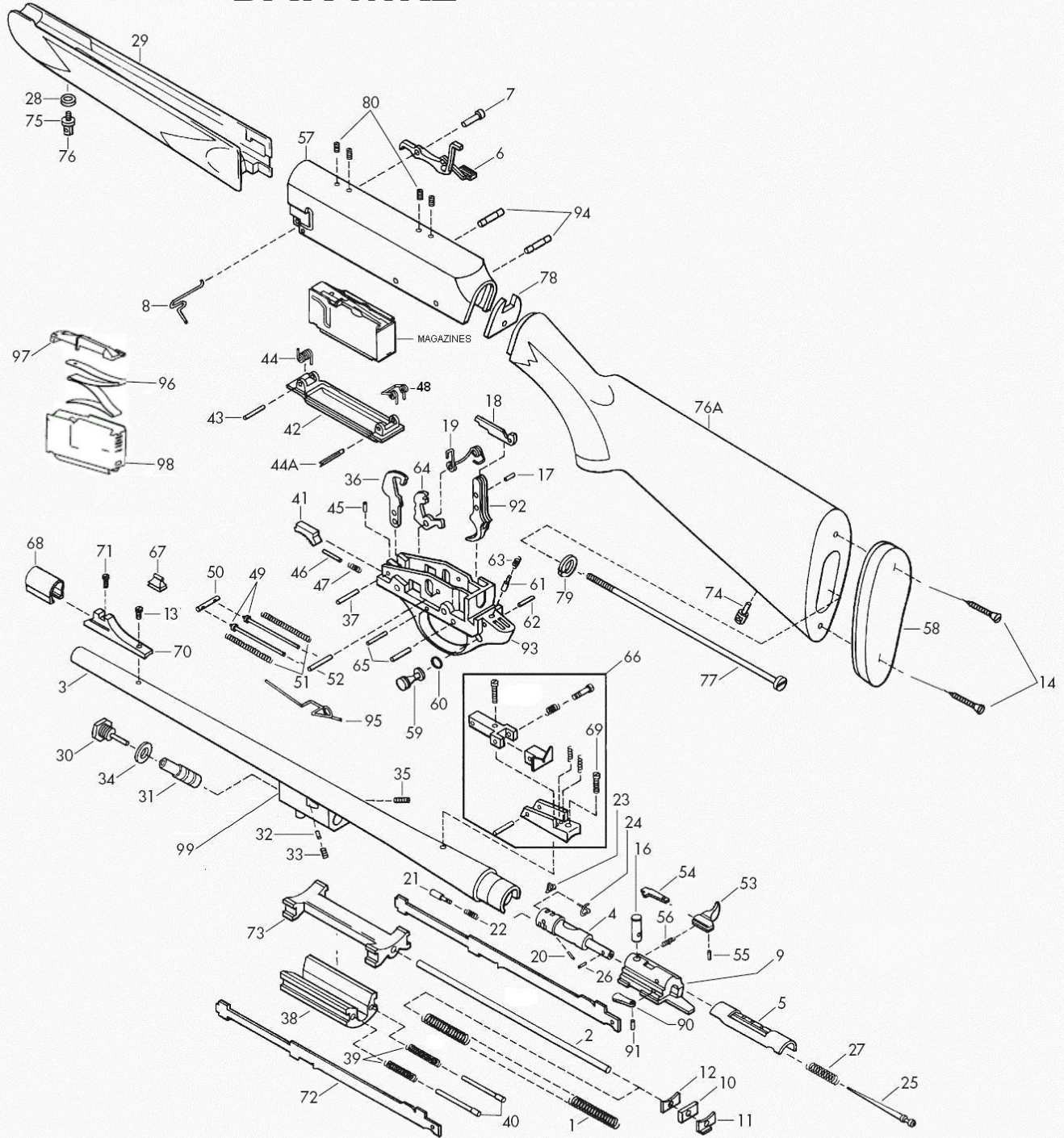
Ref. #	Part #	Description
59	B3177071AK	SAFETY, LONG/SHORT TRAC
59	B317686002	SAFETY, MKII/LWT
60	B317686101	SAFETY O-RING, MKII/LWT
61	B3177169FH	SAFETY SPRING PLUNGER, LONG/SHORT TRAC
61	B317686602	SAFETY SPRING PLUNGER, MKII/LWT
62	BST81005E2	SAFETY SPRING PLUNGER RETAINING PIN
63	B3177170AE	SAFETY SPRING, LONG/SHORT TRAC
63	B317686801	SAFETY SPRING, MKII/LWT
64	B3178164AJ	SEAR (ALL)
65	B317681302	SEAR/TRIGGER PIN (ALL)
66	BST7665611	REAR SIGHT ASSY. MKII/LWT, MAG.
66	BST7665711	REAR SIGHT ASSY. MKII/LWT, STD.
67	B317660403	FRONT SIGHT, .358, MKII/LWT
68	BST7662201	FRONT SIGHT HOOD, MKII/LWT
69	B317664302	REAR SIGHT BASE SCREW, MKII/LWT (SHORT) ('94)
71	BST7664401	FRONT SIGHT BASE SCREW, MKII/LWT (FRONT)
72	B3177120AJ	SLIDE BAR (RIGHT/LEFT) LONG TRAC
72	B317675204	SLIDE BAR (RIGHT/LEFT) MKII/LWT
72	B3177000AJ	SLIDE BAR (RIGHT/LEFT) SHORT TRAC
73	B3177124MX	SLIDE, LONG TRAC
73	B3176754AX	SLIDE, MKII/LWT
73	B3177051MX	SLIDE, SHORT TRAC
74	BST1423602	SLING EYELET (REAR) (ALL)
75	B317628602	SLING EYELET WASH, MKII/LWT (FRONT)
76	B3177730HJ	BIPOD FIXING SCREW, HOG STALKER
76	B3177025HK	FOREARM FIXING NUT, LONG/SHORT TRAC
76	B317628402	SLING EYELET (FRONT) (ALL)
77	BST1435001	STOCK BOLT (ALL)
78	B317629413	STOCK BOLT PLATE, MKII/LWT
79	BST1435801	STOCK BOLT WASHER (FOR WOOD STOCK)
79	B3177396AX	STOCK BOLT WASHER (FOR COMPOSITE STOCK)
80	BST7631002	SCOPE BASE FILLER SCREW (BLUED)
80	BST7631102	SCOPE BASE FILLER SCREW (NICKEL)
90	B327906002	TIMING LATCH (ALL) (NEW STYLE) ('00)
90	B327906103	TIMING LATCH (ALL) (OLD STYLE)
91	B317631612	TIMMING LATCH RETAINING PIN (ALL)
91	B3177347AJ	TIMMING LATCH RETAINING PIN, LONG/SHORT TRAC (LH)
92	B3177193FH	TRIGGER, LONG/SHORT TRAC
92	B317681114	TRIGGER, MKII/LWT
93	B3177038AE	TRIGGER GUARD, LONG/SHORT TRAC
93	B3176802FE	TRIGGER GUARD, LWT (MOBU)
93	B3176800AT	TRIGGER GUARD, MKII
93	B317680013	TRIGGER GUARD, MKII (STEEL REC.) ('00)
93	B317680312	TRIGGER GUARD, MKII, GRD3 (NICKEL)
94	B317687802	TRIGGER GUARD RETAINING PIN, ALL (BLUED)
94	B317687902	TRIGGER GUARD RETAINING PIN, ALL (NICKEL)
95	B317688201	TRIGGER GUARD RETAINING PIN SPRING (ALL)
96	B3177735AE	MAGAZINE SPRING
44A	B317671001	MAGAZINE FLOOR PLATE CATCH SPRING PIVOT PIN
76A	B3178135EH	STOCK, HOG'S BACK, GRD3
76A	B3177669AE	STOCK, LONG/SHORT TRAC (BLACK)
76A	B3177923EH	STOCK, LONG/SHORT TRAC, GRD2.5
76A	B3176873EH	STOCK, MKII, 1 MILLIONTH COMMEMORTIVE, GRD3
76A	B317690512	STOCK, MKII, GRD1
76A	B3176931EH	STOCK, MKII, GRD2
76A	B3176857EJ	STOCK, MKII, TURKISH WALNUT, GRD3, GLOSS

Ref. #	Part #	Description
76A	B3179007EJ	STOCK, MKII, TURKISH WALNUT, GRD4, GLOSS
Mag	B3177743AX	MAGAZINE ASSY. FNAR (20 ROUND)
Mag	B3177754AX	MAGAZINE ASSY FNAR (10 ROUND)
Mag	B317671603	MAGAZINE ASSY MKII/LWT, S/A STD.
Mag	B3178413FV	MAGAZINE ASSY, MKII/LWT, 243/308WIN (10 ROUND)
Mag	B317674203	MAGAZINE ASSY MKII/LWT, 338 MAG
Mag	B317673803	MAGAZINE ASSY MKII/LWT, 7MM MAG
Mag	B317672203	MAGAZINE ASSY MKII/LWT, L/A STD.
Mag	B317673303	MAGAZINE ASSY MKII/LWT, WSM
Mag	B3177149HJ	MAGAZINE ASSY SHORT TRAC, S/A
	B3177729HP	ACCESSORY SUPPORT RAIL (HOG STALKER)
	B3177730AX	BIPOD FIXING SCREW (REAR) (HOG STALKER)
	B3177309A3	BOLT ASSY. LONG TRAC/SHORT TRAC, STD. CAL. (LH) (COMPLETE)
	B3177830A3	BOLT ASSY. LONG TRAC/SHORT TRAC, STD. CAL. (COMPLETE)
	B3177155AX	FIRING PIN STOP, LONG TRAC/SHORT TRAC
	B3177105AJ	FOREARM FIXING NUT RETAINING SCREW, LONG TRAC/SHORT TRAC
	B3177047AJ	MAGAZINE FLOOR PLATE PIVOT PIN, LONG/SHORT TRAC
	B3177081AA	MAGAZINE FLOORPLATE HINGED SUPPORT, LONG TRAC/SHORT TRAC
	B3177395AJ	RECEIVER SPACER FOR BARREL
	B3177191AA	RECOIL PAD SUPPORT PLATE, LONG TRAC/SHORT TRAC (COMPOSITE STOCK ONLY)
	B3177392AJ	RECOIL SPRING GUIDE RETAINING SCREW, LONG TRAC/SHORT TRAC (PRESS FIT)
	B3177159E2	RECOIL SPRING GUIDE STOP PIN LONG TRAC/SHORT TRAC
	BST1435401	STOCK BOLT LOCK WASHER, LONG TRAC/SHORT TRAC
	B3177138AE	STOCK TUBE FOR STIFFENING
	B317680014	TRIGER GUARD ASSEMBLY, LONG TRAC/SHORT TRAC

* Indicates part must be fitted by Browning Service Department or qualified gunsmith.
 *** Factory replacement only. Firearm must be returned.
 **** These parts are no longer available.
 + Part may be purchased only by holders of a current, valid Federal Firearms License.
 NOTE: Unless otherwise indicated, part is interchangeable between gauges/calibers.

NOTE: WHEN ORDERING PARTS USE THE PART NUMBER AND NOT THE SCHEMATIC REFERENCE NUMBER

BAR MK2



*Indicates part must be fitted by Browning Service Department or qualified gunsmith.
 ***Factory replacement only. Firearm must be returned.
 + Part may be purchased only by holders of a current, valid Federal Firearms License.
 NOTE: Unless otherwise indicated, part is interchangeable between gauges/calibers.