

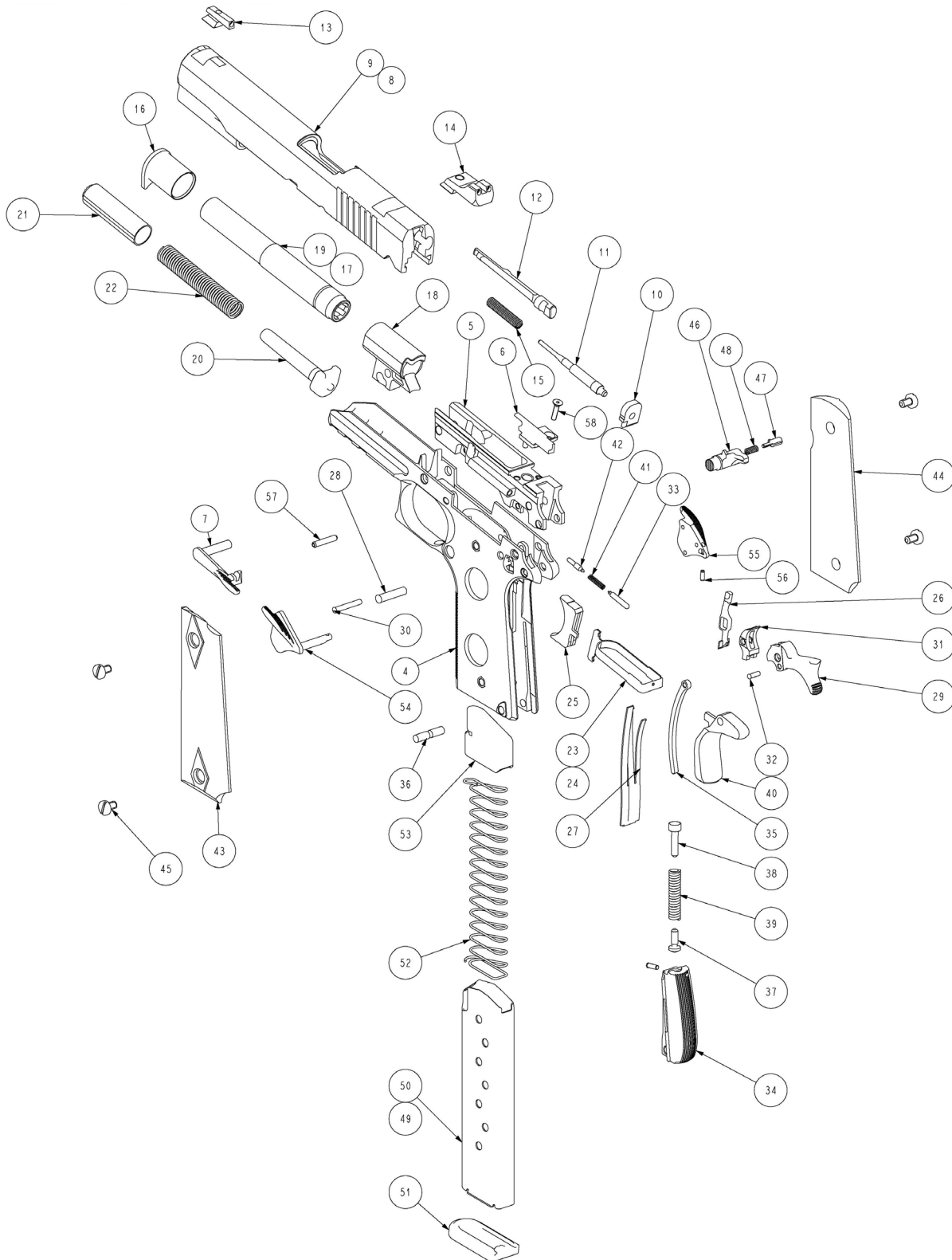
IMPORTANT: When ordering, list part number, part name, gun gauge/caliber and serial number. Please specify grade. Prices F.O.B. point of shipment – subject to change without notice. Prices effective January 1, 2024.

Ref. #	Part #	Description
6	B5157210FV	EJECTOR PLATE, 380
7	B5157177AA	SLIDE STOP, 380, BLACK LABEL, EXTENDED
7	B5157177AM	SLIDE STOP, 380, BLACK LABEL, TACTICAL
9	B5157232AM	SLIDE ASSEMBLY, 380, BLACK LABEL, COMPACT (W/ COMPOSITE SIGHT)
9	B5157198AM	SLIDE ASSEMBLY, 380, BLACK LABEL, FULL SIZE (W/ COMPOSITE SIGHT)
9	B5157170AM	SLIDE ASSEMBLY, 380, BLACK LABEL, FULL SIZE (W/ STEEL SIGHTS)
9	B5157239AM	SLIDE ASSEMBLY, 380, BLACK LABEL, HIGH GRADE STAINLESS, COMPACT (W/STEEL SIGHTS)
9	B5157238AM	SLIDE ASSEMBLY, 380, BLACK LABEL, HIGH GRADE STAINLESS, FULL SIZE (W/STEEL SIGHTS)
9	B5157237AM	SLIDE ASSEMBLY, 380, BLACK LABEL, MEDALLION STAINLESS ENGRAVED, COMPACT (W/STEEL SIGHTS)
9	B5157233AM	SLIDE ASSEMBLY, 380, BLACK LABEL, MEDALLION, STAINLESS, COMPACT (W/STEEL SIGHTS)
9	B5157236AM	SLIDE ASSEMBLY, 380, BLACK LABEL, MEDALLION, STAINLESS, FULL SIZE (W/STEEL SIGHTS)
9	B5157235AM	SLIDE ASSEMBLY, 380, BLACK LABEL, SPEED, BURNT BRONZE, FULL SIZE (W/STEEL SIGHTS)
11	B5157157AE	FIRING PIN, 380
12	* B5157156AA	EXTRACTOR, 380
13	B5157135AA	SIGHT, FRONT, BLACK LABEL, 380, COMPOSITE
13	* B5157179AE	SIGHT, FRONT, BLACK LABEL, 380, STEEL
14	B5157193AA	SIGHT, REAR, BLACK LABEL, 380, COMPOSITE
14	* B5157178AE	SIGHT, REAR, BLACK LABEL, 380, STEEL
15	B5157158AE	FIRING PIN SPRING, 380
16	B5157155AE	BARREL BUSHING, 380
19	B5157150XE	BARREL ASSEMBLY, 380, COMPACT
19	B5157151XE	BARREL ASSEMBLY, 380, FULL SIZE
20	B5157088AA	RECOIL SPRING GUIDE, COMPACT
20	B5157043AA	RECOIL SPRING GUIDE, FULL SIZE
21	B5157087HA	RECOIL SPRING PLUG, COMPACT
21	B5157019HA	RECOIL SPRING PLUG, FULL SIZE
22	B5157105AE	RECOIL SPRING, COMPACT
22	B5157050AE	RECOIL SPRING, FULL SIZE
23	* B5157139XH	TRIGGER ASSEMBLY, BLACK LABEL, SKELETONIZED
24	B5157027AE	MAINSRING PLUNGER RETAINING PIN
26	*** B5157003AA	DISCONNECTOR
27	*** B5157010AE	SEAR SPRING
28	B5157030AE	HAMMER PIN
29	* B5157109AM	HAMMER ASSEMBLY
30	*** B5157172AE	SEAR PIN
31	*** B5157002AA	SEAR
32	* B5157027AE	HAMMER LINK PIN
33	*** B5157023AE	SAFETY LOCK PLUNGER
34	B5157127XF	MAINSRING HOUSING ASSEMBLY, BLACK LABEL, BEAVERTAIL
35	* B5157106AA	HAMMER LINK
36	B5157120AM	MAINSRING HOUSING PIN
37	B5157028AE	MAINSRING HOUSING PIN RETAINER
38	B5157013AA	MAINSRING PLUNGER
39	B5157049AE	MAINSRING
40	* B5157128AA	GRIP SAFETY, BLACK LABEL, BEAVERTAIL
41	* B5157164AE	SLIDE STOP PLUNGER SPRING, 380
42	* B5157022AE	SLIDE STOP PLUNGER
45	B5157136AE	GRIP PANEL SCREW
46	* B5157042AA	MAGAZINE LATCH

Ref. #	Part #	Description
46	* B5157231FV	MAGAZINE LATCH ASSEMBLY, 380
47	* B5157017AA	MAGAZINE LATCH LOCK
48	* B5157165AE	MAGAZINE LATCH SPRING, 380
49	B5157146AJ	MAGAZINE ASSEMBLY, 380
51	B5157147AA	MAGAZINE BASE PLATE, 380
52	B5157055AE	MAGAZINE SPRING
53	B5157145AA	MAGAZINE FOLLOWER, 380
54	*** B5157113AA	AMBIDEXTROUS SAFETY LOCK, BLACK LABEL (LEFT)
54	*** B5157093FV	SAFETY LOCK, F-1
54	*** B5157094FV	SAFETY LOCK, F-2
54	*** B5157095FV	SAFETY LOCK, F-3
54	*** B5157096FV	SAFETY LOCK, F-4
55	*** B5157112AA	AMBIDEXTROUS SAFETY LOCK, BLACK LABEL (RIGHT)
56	*** B5157119AE	AMBIDEXTROUS SAFETY LOCK ASSEMBLY PIN
58	B5157063AA	EJECTOR SCREW
	B5157161AE	GRIP SET, BLACK, LAMINATED
	B5157067AA	GRIP SET, BLACK, POLYMER
	B5157200AA	GRIP SET, BLACK/GRAY, G10
	B5152901	GRIP SET, MEDALLION
	B5157202AE	GRIP SET, ROSEWOOD, LAMINATED, REGAL

\* Indicates part must be fitted by Browning Service Department or qualified gunsmith.  
 \*\*\* Factory replacement only. Firearm must be returned.  
 \*\*\*\* These parts are no longer available.  
 + Part may be purchased only by holders of a current, valid Federal Firearms License.  
 NOTE: Unless otherwise indicated, part is interchangeable between gauges/calibers.

NOTE: WHEN ORDERING PARTS USE THE PART NUMBER AND NOT THE SCHEMATIC REFERENCE NUMBER



\*Indicates part must be fitted by Browning Service Department or qualified gunsmith.  
 \*\*\*Factory replacement only. Firearm must be returned.  
 + Part may be purchased only by holders of a current, valid Federal Firearms License.  
 NOTE: Unless otherwise indicated, part is interchangeable between gauges/calibers.