

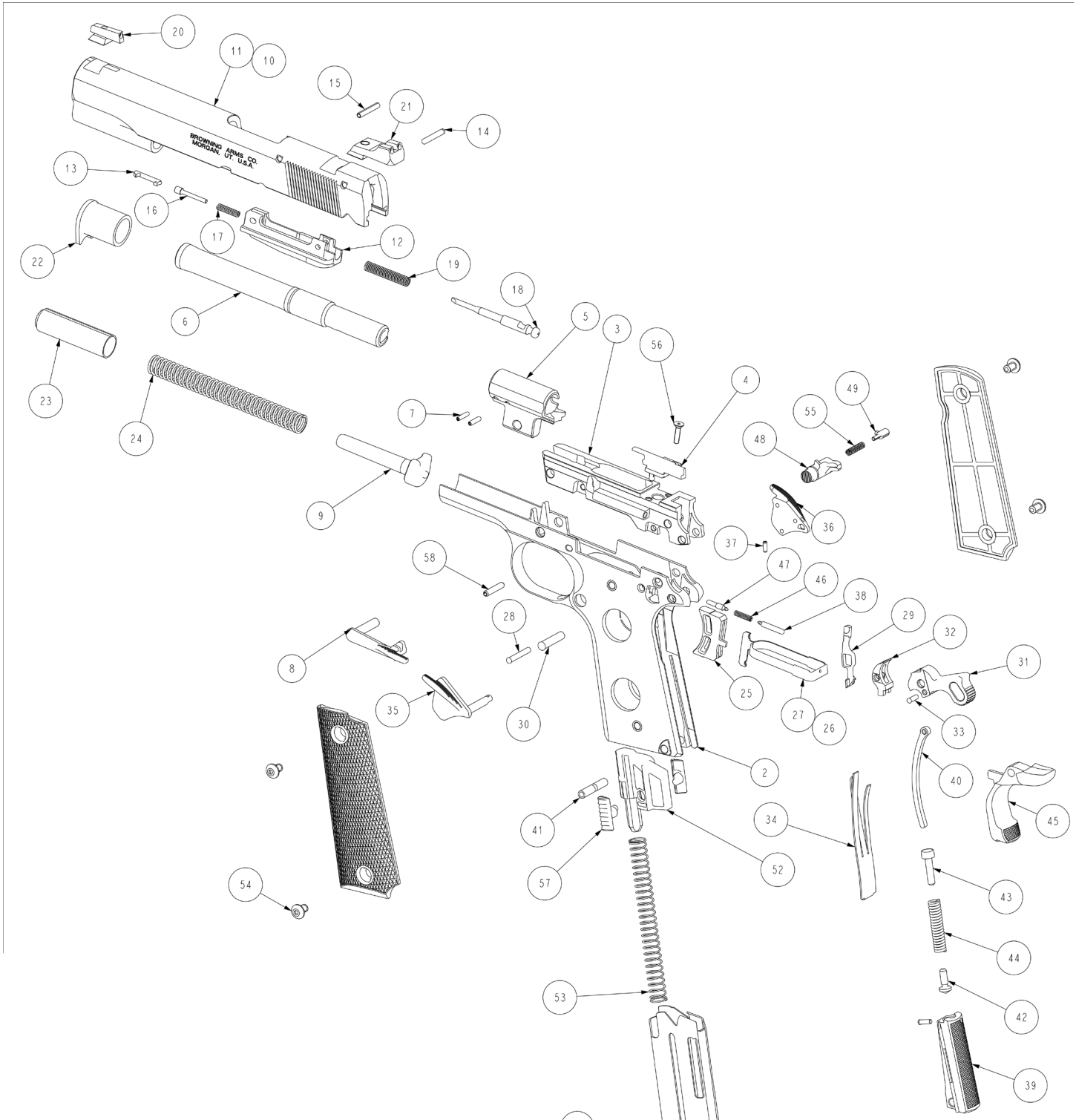
IMPORTANT: When ordering, list part number, part name, gun gauge/caliber and serial number. Please specify grade. Prices F.O.B. point of shipment – subject to change without notice. Prices effective January 1, 2024.

Ref. #		Part #	Description
4		B5157037AA	EJECTOR PLATE
6		B5157111AK	BARREL ASSEMBLY, 22, COMPACT (INCLUDES PART #5 & #1)
6		B5157176AK	BARREL ASSEMBLY, 22, COMPACT, SR (INCLUDES PART #5 & #1)
6		B5157076AK	BARREL ASSEMBLY, 22, FULL SIZE (INCLUDES PART #5 & #1)
6		B5157175AK	BARREL ASSEMBLY, 22, FULL SIZE, SR (INCLUDES PART #5 & #1)
8		B5157021AA	SLIDE STOP, A1, CLASSIC
8		B5157125AA	SLIDE STOP, BLACK LABEL, EXTENDED
8		B5157125AM	SLIDE STOP, BLACK LABEL, TACT.
9		B5157088AA	RECOIL SPRING GUIDE, COMPACT
9		B5157043AA	RECOIL SPRING GUIDE, FULL SIZE
10		B5157102FT	SLIDE ASSEMBLY, 22, A1
10		B5157196AP	SLIDE ASSEMBLY, 22, BLACK LABEL, COMPACT, W/ COMPOSITE SIGHT
10		B5157195AP	SLIDE ASSEMBLY, 22, BLACK LABEL, FULL SIZE, W/ COMPOSITE SIGHT
10		B5157234AM	SLIDE ASSEMBLY, 22, BLACK LABEL, FULL SIZE, W/ STEEL 3 DOT SIGHT
10		B5157103AP	SLIDE ASSEMBLY, 22, CLASSIC, COMPACT, W/COMPOSITE SIGHT
10		B5157102AP	SLIDE ASSEMBLY, 22, CLASSIC, FULL SIZE, W/COMPOSITE SIGHT
12	*	B5157035AA	SLIDE BLOCK
13	*	B5157032AA	EXTRACTOR
14		B5157121AE	FIRING PIN RETAINING PIN
15		B5157062AE	SLIDE BLOCK/FIRING PIN HOUSING RETAINING PIN (COILED)
15		B5157121AE	SLIDE BLOCK/FIRING PIN HOUSING RETAINING PIN (SOLID)
16	*	B5157025AA	EXTRACTOR PLUNGER
17	*	B5157053AE	EXTRACTOR SPRING
18		B5157024AE	FIRING PIN
19		B5157054AE	FIRING PIN SPRING
20		B5157135AA	SIGHT, FRONT, 22, BLACK LABEL, ALL, COMPOSITE
20	*	B5157179AE	SIGHT, FRONT, 22, BLACK LABEL, STEEL
20		B5157040AA	SIGHT, FRONT, 22, CLASSIC, COMPOSITE
21		B5157124AA	SIGHT, REAR, 22, BLACK LABEL, COMPOSITE
21	*	B5157178AE	SIGHT, REAR, 22, BLACK LABEL, STEEL
21		B5157059AA	SIGHT, REAR, 22, CLASSIC, COMPOSITE
22		B5157018AM	BARREL BUSHING
23		B5157087HA	RECOIL SPRING PLUG, COMPACT
23		B5157019HA	RECOIL SPRING PLUG, FULL SIZE
24		B5157105AE	RECOIL SPRING, COMPACT
24		B5157050AE	RECOIL SPRING, FULL SIZE
25	*	B5157058XH	TRIGGER ASSEMBLY, A1, CLASSIC (INCLUDES PART# 27)
25	*	B5157139XH	TRIGGER ASSEMBLY, BLACK LABEL, SKELETONIZED (INCLUDES PART# 27)
27		B5157027AE	MAINSRING CAP PIN
28	***	B5157172AE	SEAR PIN
29	***	B5157003AA	DISCONNECTOR
30		B5157030AE	HAMMER PIN
31	*	B5157108AM	HAMMER ASSEMBLY, A1, CLASSIC
31	*	B5157109AM	HAMMER ASSEMBLY, BLACK LABEL
32	***	B5157002AA	SEAR
33	*	B5157027AE	HAMMER LINK PIN
34	***	B5157010AE	SEAR SPRING

Ref. #		Part #	Description
35	***	B5157113AA	SAFETY LOCK, BLACK LABEL (LEFT)
35	***	B5157005AM	SAFETY LOCK, CLASSIC (F1-F4)
35	***	B5157093FV	SAFETY LOCK, F-1
35	***	B5157094FV	SAFETY LOCK, F-2
35	***	B5157095FV	SAFETY LOCK, F-3
35	***	B5157096FV	SAFETY LOCK, F-4
36	***	B5157112AA	SAFETY LOCK, BLACK LABEL (RIGHT)
37	***	B5157119AE	SAFETY LOCK PIN, BLACK LABEL
38	***	B5157023AE	SAFETY LOCK PLUNGER
39		B5157101XF	MAINSRING HOUSING ASSEMBLY, A1, CLASSIC
39		B5157127XF	MAINSRING HOUSING ASSEMBLY, BLACK LABEL, BEAVERTAIL
39		B5157009AA	MAINSRING HOUSING, A1, CLASSIC
39		B5157126AA	MAINSRING HOUSING, BLACK LABEL, BEAVERTAIL
40	*	B5157106AA	HAMMER LINK
41		B5157031AE	MAINSRING HOUSING PIN, ALLOY FRAME
41		B5157120AM	MAINSRING HOUSING PIN, COMPOSITE FRAME
42		B5157028AE	MAINSRING HOUSING PIN RETAINER
43		B5157013AA	MAINSRING CAP
44		B5157049AE	MAINSRING
45	*	B5157007AA	GRIP SAFETY, A1, CLASSIC
45	*	B5157128AA	GRIP SAFETY, BLACK LABEL, BEAVERTAIL
46	*	B5157051AE	SLIDE STOP PLUNGER SPRING
47	*	B5157022AE	SLIDE STOP PLUNGER
48	*	B5157086FV	MAGAZINE LATCH
49	*	B5157017AA	MAGAZINE LATCH LOCK
51		B5157056AA	MAGAZINE BASE PLATE, 22
52		B5157041AA	MAGAZINE FOLLOWER, 22
53		B5157055AE	MAGAZINE SPRING
54		B5157136AE	GRIP SCREW
54		B5157048AE	GRIP SCREW (POLYMER GRIP SET ONLY)
55	*	B5157052AE	MAGAZINE LATCH SPRING, 22
56		B5157063AA	EJECTOR PLATE SCREW
57		B5157042AA	MAGAZINE LOAD ASSIST BUTTON
		B5157167AE	BARREL THREAD PROTECTOR, 22, SR
		B5157161AE	GRIP SET, BLACK LABEL, BLACK LAMINATED
		B5157067AA	GRIP SET, BLACK LABEL, BLACK POLYMER
		B5157200AA	GRIP SET, BLACK LABEL, G10 BLACK/GRAY
		B5152901	GRIP SET, BLACK LABEL, MEDALLION
		B5157202AE	GRIP SET, BLACK LABEL, ROSEWOOD REGAL
		B5157046AE	GRIP SET, WALNUT, A1
		B5157064AJ	MAGAZINE ASSEMBLY, 22

* Indicates part must be fitted by Browning Service Department or qualified gunsmith.
 *** Factory replacement only. Firearm must be returned.
 **** These parts are no longer available.
 + Part may be purchased only by holders of a current, valid Federal Firearms License.
 NOTE: Unless otherwise indicated, part is interchangeable between gauges/calibers.

NOTE: WHEN ORDERING PARTS USE THE PART NUMBER AND NOT THE SCHEMATIC REFERENCE NUMBER



*Indicates part must be fitted by Browning Service Department or qualified gunsmith.
 ***Factory replacement only. Firearm must be returned.
 + Part may be purchased only by holders of a current, valid Federal Firearms License.
 NOTE: Unless otherwise indicated, part is interchangeable between gauges/calibers.

Browning Gun Parts Price List