



Autoloading Rifle Type I and Type II Models

BAR®

IMPORTANT: When ordering, list part number, part name, gun gauge/caliber and serial number. Please specify grade.
Prices F.O.B. point of shipment — subject to change without notice. Prices effective January 1, 2013.

REF. NO.	PART NO.	DESCRIPTION	MSRP (US\$)
1	* B3176002	ACTION ROD, LEFT / RIGHT	\$20.75
2	B317600602	ACTION SPRING	3.75
3	B3176010	ACTION SPRING GUIDE	19.25
4	* B3176016	BARREL, 243 WIN, TYPE II	455.00
4	* B3176021	BARREL, 270 WIN, TYPE II	455.00
4	* B3176024	BARREL, 280 REM, TYPE II	455.00
4	* B3176031	BARREL, 30-06 SPRG, TYPE II	455.00
4	* B3176035	BARREL, 300 WIN MAG, TYPE II	455.00
4	* B3176026	BARREL, 308 WIN, TYPE II	455.00
4	* B3176036	BARREL, 338 WIN MAG, TYPE II	455.00
4	* B3176033	BARREL, 7MM REM MAG, TYPE II	455.00
5	* B317604814	BOLT, MAGNUM	101.00
5	* B317604514	BOLT, STANDARD	100.00
6	* B317675901	BOLT COVER	5.00
7	* B317606304	BOLT SLEEVE, STANDARD	55.00
7	* B317606404	BOLT SLEEVE, MAGNUM	55.00
8	B317606501	BUFFER	1.25
9	B3176066	BUFFER PLATE	2.25
10	* BST1408011	BUTT PLATE	3.75
11	BST1431801	BUTT PLATE SCREW (2 REQUIRED)	1.25
13	B317607601	CAM PIN	8.50
14	* B3176080	DISCONNECTOR	12.50
15	B3176082	DISCONNECTOR PIN	2.25
16	B3176084	DISCONNECTOR SPRING	1.25
17	B3176086	DISCONNECTOR SPRING PLUNGER	2.25
18	BST7609002	EJECTOR	3.75
19	BST7609601	EJECTOR RETAINING PIN	2.50
20	B317609901	EJECTOR SPRING	1.25
21	* B317610102	EXTRACTOR	8.50
22	B317610501	EXTRACTOR SPRING	1.25
23	B317612402	FOREARM ESCUTCHEON	1.25
24	* B3176122	FOREARM, GR I, MAGNUM, TYPE I / TYPE II	189.50
24	* B3176120	FOREARM, GR I, STANDARD TYPE I / TYPE II	189.50
25	* B317611001	FIRING PIN	13.25
26	B317611402	FIRING PIN RETAINING PIN	3.75
27	B317611701	FIRING PIN SPRING	1.25
28	* B3176131	GAS CYLINDER, TYPE II	61.00
29	B3176138	GAS PISTON STOP PIN	1.25
30	B3176133	GAS PISTON, TYPE II (ALSO FITS TYPE I)	19.25
31	B3176135	GAS REGULATOR, 243 WIN, TYPE II	8.50
31	**** B3176136	GAS REGULATOR, 270 WIN, TYPE II (OBSOLETE)	—
31	B3176132	GAS REGULATOR, 280 REM, TYPE II	8.50
31	**** B3176139	GAS REGULATOR, 30-06 SPRG, TYPE II (OBSOLETE)	—
31	B3176146	GAS REGULATOR, 300 WIN MAG, TYPE II	8.50
31	B3176137	GAS REGULATOR, 308 WIN, TYPE II	8.50
31	B3176149	GAS REGULATOR, 338 WIN MAG, TYPE II	8.50
31	B3176144	GAS REGULATOR, 7MM REM MAG, TYPE II	8.50
32	B317667001	GAS REGULATOR GASKET	2.50
33	B3176150	HAMMER	17.75
34	B3176152	HAMMER PIN	2.25
35	B3176155	INERTIA PIECE	36.00
36	B3176160	MAGAZINE ASSEMBLY, 243 WIN / 308 WIN	105.00

REF. NO.	PART NO.	DESCRIPTION	MSRP (US\$)
36	B3176165	MAGAZINE ASSEMBLY, 270 WIN / 30-06 SPRG	\$105.00
36	B3176166	MAGAZINE ASSEMBLY, 280 REM	105.00
36	B3176168	MAGAZINE ASSEMBLY, 300 WIN MAG	105.00
36	B3176169	MAGAZINE ASSEMBLY, 338 WIN MAG	105.00
36	B3176167	MAGAZINE ASSEMBLY, 7MM REM MAG	105.00
37	B3176182	MAGAZINE FLOORPLATE, MAGNUM	64.00
37	B3176180	MAGAZINE FLOORPLATE, STANDARD	64.00
38	B317618401	MAGAZINE FLOORPLATE RETAINER PIN	1.25
39	B3176186	MAGAZINE FLOORPLATE SPRING	2.25
40	B3176202	MAGAZINE LATCH	13.25
41	B317689201	MAGAZINE LATCH SPRING PUNGER	1.25
42	B317688801	MAGAZINE LATCH SPRING	1.25
NS	B317689001	MAGAZINE LATCH STOP PIN	1.25
43	B3176210	MAGAZINE RETAINING SPRING PIN	1.25
44	B3176208	MAGAZINE RETAINING SPRING	5.25
45	B3176218	MAINSRING GUIDE, LEFT / RIGHT	5.50
46	B3176222	MAINSRING GUIDE SUPPORT	2.75
47	B317683601	MAINSRING, LEFT / RIGHT	2.50
48	B3176224	MAINSRING SUPPORT	2.75
49	B317622802	OPERATING HANDLE	15.75
50	B317623201	OPERATING HANDLE LOCK	2.50
NS	B317623601	OPERATING HANDLE LOCK PIN	2.50
51	B317623801	OPERATING HANDLE LOCK SPRING	1.25
52	*+ B3176246	RECEIVER, GR I, MAGNUM, TYPE II	319.00
52	*+ B3176239	RECEIVER, GR I, STANDARD, TYPE II	319.00
NS	BST647001	RECOIL PAD	11.00
53	B317687001	SAFETY SPRING RETAINING PIN	1.25
54	B3176262	SAFETY, CROSS BOLT, LH / RH, TYPE II	7.00
54	**** B3176254	SAFETY, CROSS BOLT, TYPE I (OBSOLETE)	—
55	B3176258	SAFETY PLUNGER	1.25
56	B317686801	SAFETY SPRING	1.25
57	B3176264	SEAR	20.25
58	B3176266	SEAR PIN	1.25
59	**** B3176282	SIGHT ASSEMBLY, REAR, MAGNUM, WILLIAMS (OBSOLETE)	—
59	**** B3176281	SIGHT ASSEMBLY, REAR, STANDARD, WILLIAMS (OBSOLETE)	—
60	**** B3176271	SIGHT BEAD, FRONT, TYPE II, WILLIAMS (OBSOLETE)	—
60	**** B3176270	SIGHT BEAD, FRONT, TYPE I (OBSOLETE)	—
62	B3176277	SIGHT RAMP, FRONT, WILLIAMS	20.25
63	BST1423602	SLING EYELET, REAR	2.50
64	B317628402	SLING EYELET, FRONT	2.50
65	B317628602	SLING EYELET WASHER, FRONT	2.50
65A	* B3176077	STOCK, GR I, MAGNUM, TYPE II	272.75
65A	* B3176071	STOCK, GR I, STANDARD, TYPE II	257.50
66	B317629413	STOCK BOLT PLATE	5.00
67	BST1435001	STOCK BOLT, TYPE II	2.50
68	BST1435801	STOCK BOLT WASHER	2.50
69	B3176304	SUPPORT RAIL, LEFT / RIGHT	7.00
70	BST77651AJ	TELESCOPIC MOUNT FILLER SCREW, BLUE	1.25
70	BST77652A9	TELESCOPIC MOUNT FILLER SCREW, GRAY	1.25
71	**** B3176314	TIMING LATCH (OBSOLETE)	—
72	B317631612	TIMING LATCH RETAINING PIN	1.25

*Indicates part must be fitted by Browning Service Department or qualified gunsmith.
 ***Factory replacement only. Firearm must be returned.
 +Part may be purchased only by holders of a current, valid Federal Firearms License.
 NOTE: Unless otherwise indicated, part is interchangeable between gauges/calibers.



Autoloading Rifle Type I and Type II Models

BAR®

IMPORTANT: When ordering, list part number, part name, gun gauge/caliber and serial number. Please specify grade.
Prices F.O.B. point of shipment — subject to change without notice. Prices effective January 1, 2013.

REF. NO.	PART NO.	DESCRIPTION	MSRP (US\$)
73	**** B3176336	TRIGGER GUARD (OBSOLETE)	—
74	B3176324	TRIGGER PIN	\$1.25
75	**** B3176325	TRIGGER, TYPE II (OBSOLETE)	—
75	**** B3176322	TRIGGER, TYPE I (OBSOLETE)	—
NOTE! STOCKS FOR PRE-1979 GUNS ARE OBSOLETE			

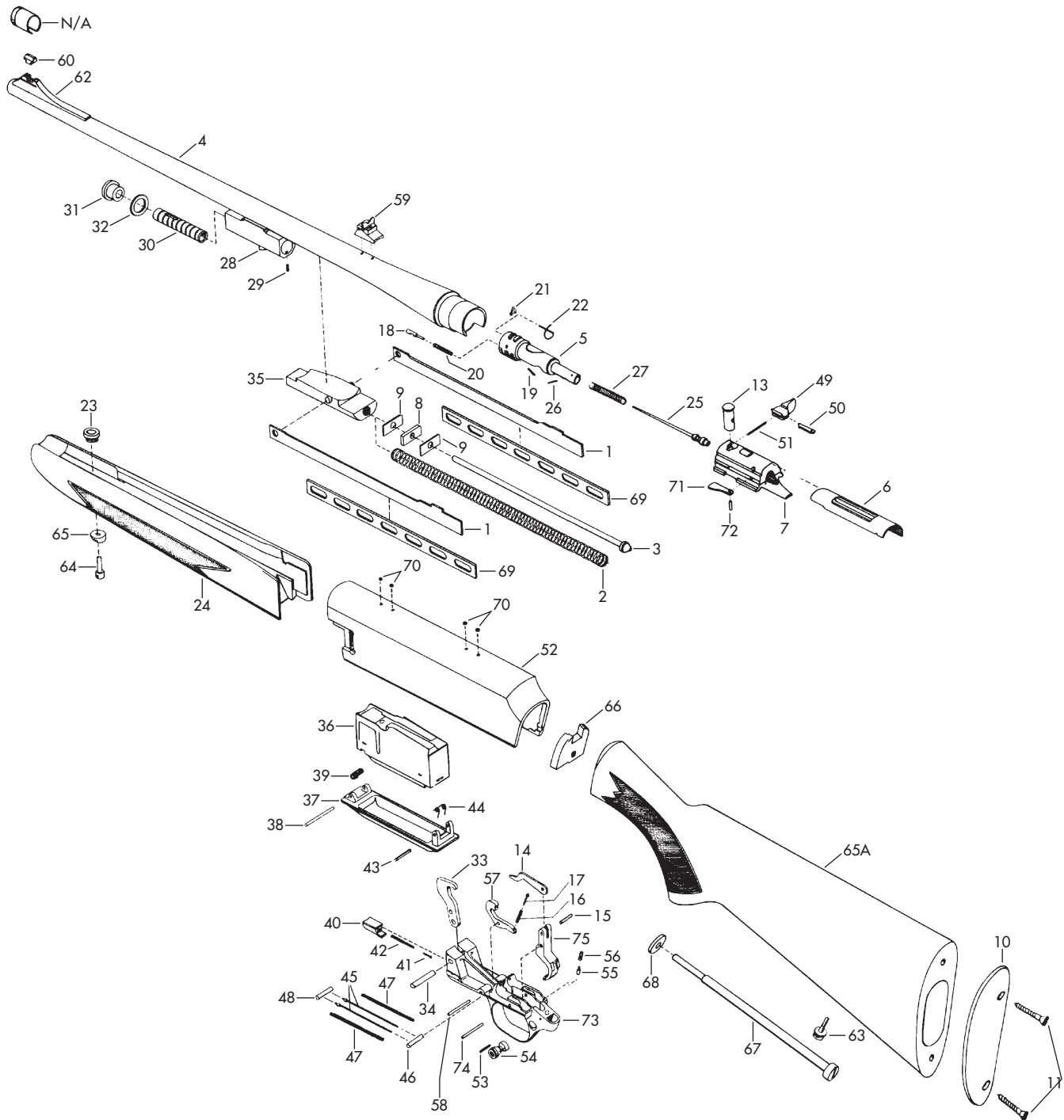
*Indicates part must be fitted by Browning Service Department or qualified gunsmith.
 ***Factory replacement only. Firearm must be returned.
 +Part may be purchased only by holders of a current, valid Federal Firearms License.
 NOTE: Unless otherwise indicated, part is interchangeable between gauges/calibers.



Autoloading Rifle Type I and Type II Models

BAR®

NOTE: WHEN ORDERING PARTS USE THE PART NUMBER AND NOT THE SCHEMATIC REFERENCE NUMBER.



Schematic is provided for parts identification only and should not be used as a guide to assemble guns.
CAUTION: Browning parts are not recommended for use in other guns though models may be similar.
Inadequately fitted parts may be dangerous.