



Autoloading Rifle BAR II Safari and BAR Lightweight

BAR®

IMPORTANT: When ordering, list part number, part name, gun gauge/caliber and serial number. Please specify grade.
Prices F.O.B. point of shipment — subject to change without notice. Prices effective January 1, 2013.

REF. NO.	PART NO.	DESCRIPTION	MSRP (US\$)
1	B317600602	ACTION SPRING	\$3.75
2	B317676002	ACTION SPRING GUIDE	6.00
4	* B317604814	BOLT, MAGNUM, LA	100.00
4	* B317604514	BOLT, STANDARD, LA / SA	100.00
4	* B317604704	BOLT, WSM, SA	100.00
4	* B3176073AX	BOLT, WSM, SA, STALKER	100.00
5	B317675901	BOLT COVER	5.00
5	B317676201	BOLT COVER, STALKER	6.00
6	* B317678403	BOLT RELEASE, BLUE	20.50
6	* B317678303	BOLT RELEASE, NICKEL	21.75
7	B317678702	BOLT RELEASE PIN	2.50
8	B317678811	BOLT RELEASE SPRING	1.25
9	* B317606404	BOLT SLEEVE, LA MAGNUM / SA WSM CALIBERS	87.50
9	* B317606304	BOLT SLEEVE, LA / SA STANDARD CALIBERS	87.50
10	B317606501	BUFFER	1.25
11	B317678102	BUFFER PLATE, FRONT	1.25
12	B317677902	BUFFER PLATE, REAR	2.50
13	* BST1408011	BUTT PLATE	3.75
14	* BST76079AJ	BUTT PLATE SCREW (2 REQUIRED)	1.25
16	B317607601	CAM PIN	8.50
17	B317687412	DISCONNECTOR PIN	2.50
18	* B317687203	DISCONNECTOR	2.50
19	B317682601	DISCONNECTOR SPRING	2.50
20	BST7609601	EJECTOR RETAINING PIN	2.50
21	* BST7609002	EJECTOR	3.75
22	B317609901	EJECTOR SPRING	1.25
23	* B3176103A1	EXTRACTOR	8.50
24	B317610501	EXTRACTOR SPRING	1.25
25	* B317611001	FIRING PIN	13.25
26	B317611402	FIRING PIN RETAINING PIN	3.75
27	B317611701	FIRING PIN SPRING	1.25
28	B317612402	FOREARM ESCUTCHEON	1.25
29	* B317698302	FOREARM, MKII, HIGH GRADE, MAGNUM	110.25
29	* B317697002	FOREARM, MKII, CLASSIC, MAGNUM	83.00
29	* B317697102	FOREARM, MKII, MAGNUM	93.75
29	* B317697902	FOREARM, LIGHTWEIGHT, MAGNUM	93.75
29	* B317696503	FOREARM, STALKER, MAGNUM	23.00
29	* B317697202	FOREARM, MKII, HIGH GRADE, STANDARD	110.50
29	* B317696802	FOREARM, MKII, STANDARD	92.50
29	* B317697602	FOREARM, LIGHTWEIGHT, STANDARD	92.50
29	* B317696702	FOREARM, MKII, CLASSIC, STANDARD	83.00
29	* B317696603	FOREARM, STALKER, STANDARD	23.00
30	B317666502	GAS CYLINDER CAP	2.50
31	B317667902	GAS PISTON	6.00
32	B317667202	GAS REGULATOR SCREW LOCK PLUNGER	2.50
33	B317667302	GAS REGULATOR SCREW LOCK SCREW	1.25
34	B317667001	GAS REGULATOR GASKET	2.50
35	B317667102	GAS REGULATOR SCREW	11.00
36	* B317683013	HAMMER	7.25
37	B317683402	HAMMER PIN	1.25
38	B3176770AX	INERTIA PIECE	19.50
39	B317677101	INERTIA PIECE SPRING	1.25
40	B317677202	INERTIA PIECE SPRING ROD	2.50

REF. NO.	PART NO.	DESCRIPTION	MSRP (US\$)
41	B317688701	MAGAZINE FLOORPLATE LATCH	\$2.50
42	B317674513	MAGAZINE FLOORPLATE LATCH	15.75
43	B317618401	MAGAZINE FLOORPLATE RETAINER PIN	1.25
44	B317671301	MAGAZINE FLOORPLATE SPRING	1.25
44A	B317671001	MAGAZINE FLOORPLATE SPRING PIN	2.50
45	B317689001	MAGAZINE LATCH PIN	1.25
46	B317689201	MAGAZINE LATCH SPRING GUIDE	1.25
47	B317688801	MAGAZINE LATCH SPRING	1.25
48	B317620801	MAGAZINE RETAINING SPRING	1.25
49	B317683801	MAINSRING GUIDE	2.50
50	B317684002	MAINSRING GUIDE SUPPORT	2.50
51	B317683601	MAINSRING, LEFT / RIGHT (2 REQUIRED)	2.50
52	B317684202	MAINSRING SUPPORT	2.50
53	B317622802	OPERATING HANDLE	15.75
53	B317623003	OPERATING HANDLE, STALKER	15.75
54	B317623201	OPERATING HANDLE LOCK	2.50
55	B317623601	OPERATING HANDLE LOCK PIN	2.50
56	B317623801	OPERATING HANDLE LOCK SPRING	1.25
57	*+ B317670304	RECEIVER, MKII, MAGNUM, HIGH GRADE	958.00
57	*+ B317668105	RECEIVER, MKII, MAGNUM	375.00
57	*+ B317669404	RECEIVER, LIGHTWEIGHT, STALKER	325.00
57	*+ B317670204	RECEIVER, MKII, STANDARD, HIGH GRADE	958.00
57	*+ B317669105	RECEIVER, MKII, STANDARD	375.00
57	*+ B317669304	RECEIVER, LIGHTWEIGHT, STALKER	325.00
58	* BST7647001	RECOIL PAD	11.00
59	* B317686002	SAFETY, BLUE	3.75
59	* B317685902	SAFETY, NICKEL	5.00
60	B317686101	SAFETY O-RING	2.50
61	B317686602	SAFETY PLUNGER	1.25
62	B317687001	SAFETY SPRING RETAINING PIN	1.25
63	B317686801	SAFETY SPRING	1.25
64	* B317681803	SEAR	6.00
65	B317681302	SEAR PIN / TRIGGER PIN	1.25
66	BST7665611	SIGHT ASSEMBLY, REAR, MAGNUM	33.75
66	BST7665711	SIGHT ASSEMBLY, REAR, STANDARD	33.75
67	* B317660303	SIGHT, FRONT, .327"	10.00
67	* B317660403	SIGHT, FRONT, .358"	10.00
67	* B317660503	SIGHT, FRONT, .390"	10.00
68	BST7662201	SIGHT HOOD	5.00
69	BST7664501	SIGHT MOUNT SCREW, FRONT / REAR ('94)	1.25
70	BST7660111	SIGHT RAMP, FRONT	13.25
71	BST7664401	SIGHT RAMP SCREW, FRONT (LONG '94)	1.25
72	B317675204	SLIDE BAR, LEFT / RIGHT (2 REQUIRED)	14.50
73	B3176754AX	SLIDE HEAD	23.75
74	BST1423602	SLING EYELET, REAR	2.50
75	B317628602	SLING EYELET WASHER, FRONT	2.50
76	B317628402	SLING EYELET, FRONT	2.50
76A	* B317690402	STOCK, MKII, EURO SATIN	128.50
76A	* B317690512	STOCK, MKII	146.50
76A	* B327921203	STOCK, LIGHTWEIGHT	146.50
76A	* B317690402	STOCK, MKII, CLASSIC	128.50
76A	* B317690802	STOCK, LIGHTWEIGHT, STALKER	38.50
76A	* B317689803	STOCK, MKII, HIGH GRADE	365.00
77	BST1435001	STOCK BOLT	2.50

*Indicates part must be fitted by Browning Service Department or qualified gunsmith.
 ***Factory replacement only. Firearm must be returned.
 +Part may be purchased only by holders of a current, valid Federal Firearms License.
 NOTE: Unless otherwise indicated, part is interchangeable between gauges/calibers.



Autoloading Rifle
BAR II Safari and BAR Lightweight

BAR®

IMPORTANT: When ordering, list part number, part name, gun gauge/caliber and serial number. Please specify grade.
Prices F.O.B. point of shipment — subject to change without notice. Prices effective January 1, 2013.

REF. NO.	PART NO.	DESCRIPTION	MSRP (US\$)
NS	BST1435401	STOCK BOLT LOCK WASHER	\$1.25
78	B317629413	STOCK BOLT PLATE	5.00
79	BST1435801	STOCK BOLT WASHER	2.50
80	BST7631002	TELESCOPIC MOUNT FILLER SCREW, BLUE	1.25
80	BST7631102	TELESCOPIC MOUNT FILLER SCREW, NICKEL	6.00
90	* B327906002	TIMING LATCH	3.75
91	B317631612	TIMING LATCH RETAINING PIN	1.25

REF. NO.	PART NO.	DESCRIPTION	MSRP (US\$)
92	* B317681114	TRIGGER GUARD (1993 - 1999 ALL)	\$12.00
93	* B317680212	TRIGGER GUARD, FOR ALUMINUM RECEIVER (2000 - PRESENT)	33.75
93	* B317680312	TRIGGER GUARD, HIGH GRADE	36.00
93	* B317680013	TRIGGER GUARD, FOR STEEL RECEIVER (2000 - PRESENT)	33.75

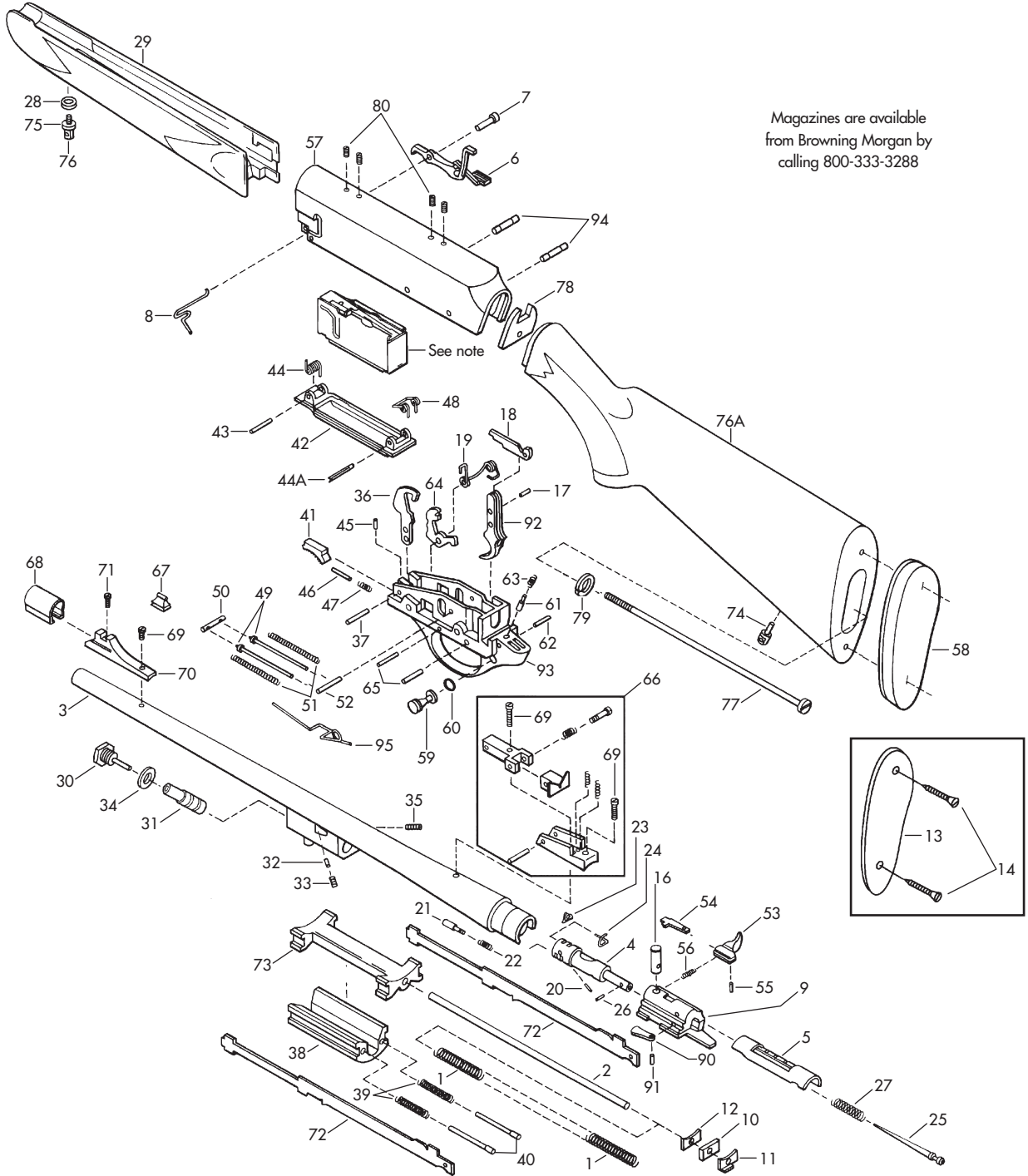
*Indicates part must be fitted by Browning Service Department or qualified gunsmith.
***Factory replacement only. Firearm must be returned.
+Part may be purchased only by holders of a current, valid Federal Firearms License.
NOTE: Unless otherwise indicated, part is interchangeable between gauges/calibers.



Autoloading Rifle BAR II Safari and BAR Lightweight

BAR®

NOTE: WHEN ORDERING PARTS USE THE PART NUMBER AND NOT THE SCHEMATIC REFERENCE NUMBER.



Schematic is provided for parts identification only and should not be used as a guide to assemble guns.
CAUTION: Browning parts are not recommended for use in other guns though models may be similar.
Inadequately fitted parts may be dangerous.