



IMPORTANT: When ordering, list part number, part name, gun gauge/caliber and serial number. Please specify grade.
Prices F.O.B. point of shipment — subject to change without notice. Prices effective January 1, 2013.

REF. NO.	PART NO.	DESCRIPTION	MSRP (US\$)
NS	* B1337823	BARREL PLUG, UNSINGLE	\$1.75
NS	* B1337261	BARREL WEIGHT ASSEMBLY W/ PIN, RIGHT (XS PRO-COMP)	162.25
NS	* B1337262	BARREL WEIGHT ASSEMBLY W/ PIN, LEFT (XS PRO-COMP)	168.50
NS	* B1337263	BARREL WEIGHT SCREW (XS PRO-COMP)	14.25
1	* B1334005	BUTT PLATE, 12	4.75
1	* B1334007	BUTT PLATE, 16-20-28-410	4.75
2	* B1334008	BUTT PLATE SCREW	2.50
3	* B1334014	COCKING LEVER, 12, BLUE	0.00
3	* B1334011	COCKING LEVER, 12, ROUGH	0.00
3	* B1337280	COCKING LEVER, 12, SILVER	0.00
3	* B1334022	COCKING LEVER, 16, BLUE	0.00
3	* B1334023	COCKING LEVER, 20-28-410, BLUE	0.00
3	* B1337283	COCKING LEVER, 20-28-410, SILVER	0.00
4	* B1334041	COCKING LEVER LIFTER, 12, BLUE	0.00
4	* B1337296	COCKING LEVER LIFTER, 12, SILVER	0.00
4	* B1334051	COCKING LEVER LIFTER, 16-20-28-410, BLUE	0.00
4	* B133715C	COCKING LEVER LIFTER, 16-20-28-410, SILVER	0.00
NS	* B133416C	COCKING LEVER LIFTER BUSHING, 12	11.00
5	B1334060	COCKING LEVER LIFTER PIN, 12, TYPE 1	1.50
5	B1334062	COCKING LEVER LIFTER PIN, 12, TYPE 2-3	1.75
5	B1334061	COCKING LEVER LIFTER PIN, 16-20-28-410	1.50
NS	B1334065	COCKING LEVER LIFTER PIN, 12, TYPE 1 (OBSOLETE)	2.75
NS	B1334064	COCKING LEVER LIFTER SPRING	2.75
NS	B1334068	COCKING LEVER LIFTER SPRING PLUNGER, 12	3.50
NS	B1334069	COCKING LEVER LIFTER SPRING PLUNGER, 16-20-28-410	3.50
7	B1334030	COCKING LEVER PIN, 12, TYPE 1-2	3.25
7	B1336030	COCKING LEVER PIN, 12, TYPE 3	3.25
7	B1337799	COCKING LEVER PIN, 16, TYPE 3	3.25
7	B1334031	COCKING LEVER PIN, 20-28-410, TYPE 2	3.25
7	B1336031	COCKING LEVER PIN, 20-28-410, TYPE 3	3.25
7	B1336029	COCKING LEVER PIN, SUPERLIGHT	3.25
NS	B1336032	COCKING LEVER PIN SET SCREW	1.75
8	* B1334070	CONNECTOR, 12	22.25
8	* B1334071	CONNECTOR, 16-20-28-410	22.25
9	B1334074	CONNECTOR STOP PIN	1.75
NS	B1793672	DROP STOP ADJUSTMENT SCREW, BT99 PLUS / CITORI PLUS	1.00
10	B1793651	DROP STOP ADJUSTMENT SET SCREW, BT99 PLUS / CITORI PLUS	1.00
NS	B1337142	DROP STOP SCREW, BT100 / CITORI SPORTING CLAYS	3.25
NS	B1793679	DROP STOP SCREW, BT99 PLUS / CITORI PLUS	5.75
NS	B1793669	DROP STOP SCREW, LEFT, BT99 PLUS / CITORI PLUS	7.50
NS	B1793677	DROP STOP SCREW, RIGHT, BT99 PLUS / CITORI PLUS	5.75
NS	* B1334108	EJECTOR EXTENSION COVER PLATE, 12, TRAP COMBO	12.00
11	* B1334106	EJECTOR EXTENSION, 12, LEFT	16.00
11	* B1334107	EJECTOR EXTENSION, 16-20-28-410, LEFT	14.75

REF. NO.	PART NO.	DESCRIPTION	MSRP (US\$)
12	* B1334102	EJECTOR EXTENSION, 12, RIGHT	\$16.00
12	* B1334103	EJECTOR EXTENSION, 16-20-28-410, RIGHT	14.75
13	B1334110	EJECTOR EXTENSION SCREW	3.50
14	* B1334124	EJECTOR HAMMER, 12, LEFT	10.00
14	* B1336606	EJECTOR HAMMER, 12, LEFT, 3.5 ONLY	10.50
14	* B1337796	EJECTOR HAMMER, 12, LEFT, GRAND PRIX ONLY	14.00
14	* B1336124	EJECTOR HAMMER, 12, LEFT, SUPERLIGHT ONLY	14.00
14	* B1334125	EJECTOR HAMMER, 16-20-28-410, LEFT	10.00
14	* B1336125	EJECTOR HAMMER, 16-20-28-410, LEFT, SUPERLIGHT ONLY	14.00
15	B1334128	EJECTOR HAMMER PIN, 12	2.75
15	B1336128	EJECTOR HAMMER PIN, 12, SUPERLIGHT ONLY	2.75
15	B1334129	EJECTOR HAMMER PIN, 16-20-28-410	2.75
15	B1336129	EJECTOR HAMMER PIN, 16-20-28-410, SUPERLIGHT	2.75
16	* B1334120	EJECTOR HAMMER, 12, RIGHT	10.00
16	* B1336605	EJECTOR HAMMER, 12, RIGHT, 3.5 ONLY	10.50
16	* B1337797	EJECTOR HAMMER, 12, RIGHT, GRAND PRIX ONLY	14.00
16	* B1336120	EJECTOR HAMMER, 12, RIGHT, SUPERLIGHT ONLY	14.00
16	* B1334121	EJECTOR HAMMER, 16-20-28-410, RIGHT	10.00
16	* B1336121	EJECTOR HAMMER, 16-20-28-410, RIGHT, SUPERLIGHT ONLY	14.00
17	B1334130	EJECTOR HAMMER SPRING	2.75
18	B1334132	EJECTOR HAMMER SPRING GUIDE	3.50
19	B1334134	EJECTOR HAMMER SPRING RECEIVER, 12-16	7.25
19	B1336134	EJECTOR HAMMER SPRING RECEIVER, 12-16, SUPERLIGHT ONLY	7.25
19	B1334133	EJECTOR HAMMER SPRING RECEIVER, 20-28-410	7.25
20	B1334135	EJECTOR HAMMER SPRING RECEIVER SCREW	2.25
NS	B1337798	SELECTIVE EJECTOR TOOL, GRAND PRIX	14.00
21	B1334114	EJECTOR RETAINING SCREW	3.00
22	* B1334082	EJECTOR, 12, RIGHT / LEFT	17.75
22	* B1334081	EJECTOR, 16, RIGHT / LEFT	19.75
22	* B1334083	EJECTOR, 20, RIGHT / LEFT	16.25
22	* B1337846	EJECTOR, 20, RIGHT / LEFT, 4 BBL SKEET, ('06-CURRENT)	34.50
22	* B1334084	EJECTOR, 20, RIGHT / LEFT, 4 BBL SKEET, (PRE-2006)	26.00
22	* B1334088	EJECTOR, 28, RIGHT / LEFT	27.25
22	* B1337847	EJECTOR, 28, RIGHT / LEFT, 4 BBL SKEET, ('06-CURRENT)	34.50
22	* B1334085	EJECTOR, 28, RIGHT / LEFT, 4 BBL SKEET, (PRE-2006)	27.25
22	* B1334089	EJECTOR, 410, RIGHT / LEFT	27.25
22	* B1337848	EJECTOR, 410, RIGHT / LEFT, 4 BBL SKEET, ('06-CURRENT)	34.50
22	* B1334086	EJECTOR, 410, RIGHT / LEFT, 4 BBL SKEET, (PRE-2006) (OBSOLETE)	27.25
23	* B1334136	EJECTOR SEAR, 12	4.25
23	* B1334137	EJECTOR SEAR, 16-20-28-410	4.25
24	B1334140	EJECTOR SEAR PIN	2.75

*Indicates part must be fitted by Browning Service Department or qualified gunsmith.
 ***Factory replacement only. Firearm must be returned.
 +Part may be purchased only by holders of a current, valid Federal Firearms License.
 NOTE: Unless otherwise indicated, part is interchangeable between gauges/calibers.



IMPORTANT: When ordering, list part number, part name, gun gauge/caliber and serial number. Please specify grade.
Prices F.O.B. point of shipment — subject to change without notice. Prices effective January 1, 2013.

REF. NO.	PART NO.	DESCRIPTION	MSRP (US\$)
25	B1334138	EJECTOR SEAR / COCKING LEVER LIFTER SPRING, TYPE 2-3	\$2.50
26	* B1334145	EJECTOR TRIP ROD, 12, LEFT, TYPE 2-3	11.50
26	* B1334146	EJECTOR TRIP ROD, 12, LEFT, TYPE 1 (OBSOLETE)	---
26	* B1334147	EJECTOR TRIP ROD, 16-20-28-410, LEFT, TYPE 1 (OBSOLETE)	10.75
26	* B1334149	EJECTOR TRIP ROD, 16-20-28-410, LEFT, TYPE 2-3	10.75
27	* B1334142	EJECTOR TRIP ROD, 12, RIGHT, TYPE 1 (OBSOLETE)	0.00
27	* B1334139	EJECTOR TRIP ROD, 12, RIGHT, TYPE 2-3	11.50
27	* B1334143	EJECTOR TRIP ROD, 16-20-28-410, RIGHT, TYPE 1 (OBSOLETE)	10.75
27	* B1334144	EJECTOR TRIP ROD, 16-20-28-410, RIGHT, TYPE 2-3	11.50
NS	B1337824	ELEVATOR SCREW, UNSINGLE	8.75
28	* B1334148	FIRING PIN, 12, OVER	5.75
28	* B1334152	FIRING PIN, 16, OVER	6.50
28	* B1334150	FIRING PIN, 20-28-410, OVER	9.25
29	B1334168	FIRING PIN RETAINING PIN, 12-16	2.25
29	B1334169	FIRING PIN RETAINING PIN, 20-28-410	2.25
30	B1334164	FIRING PIN SPRING, 12, UNDER	2.50
30	B1334165	FIRING PIN SPRING, 16-20-28-410, UNDER	2.50
31	* B1334157	FIRING PIN, 12, UNDER	6.25
31	* B1334158	FIRING PIN, 16, UNDER	6.75
31	* B1334159	FIRING PIN, 20-28-410, UNDER	5.25
32	* B1334242	FOREARM BRACKET, 12, FIELD, TYPE 1 (OBSOLETE)	72.75
32	* B1334244	FOREARM BRACKET, 12, FIELD, TYPE 2 (OBSOLETE)	72.75
32	* B1336244	FOREARM BRACKET, 12, BLUE, TYPE 3	64.75
32	* B1337777	FOREARM BRACKET, 12, LIGHTNING, GR IV, GRAY	86.25
32	* B1337784	FOREARM BRACKET, 12, LIGHTNING, GR VII, BLUE	195.50
32	* B1337804	FOREARM BRACKET, 12, LIGHTNING, GR VII, GRAY	195.50
32	* B1336604	FOREARM BRACKET, 12, SATIN HUNTER, 3.5	78.25
32	* B1336263	FOREARM BRACKET, 12, SPECIAL SKEET	99.50
32	* B1336260	FOREARM BRACKET, 12, SPECIAL TRAP	95.50
32	* B1336246	FOREARM BRACKET, 12, SUPERLIGHT	74.50
32	* B1334243	FOREARM BRACKET, 12, BLUE, TARGET, 3 HOLE, TYPE 1 (OBSOLETE)	116.00
32	* B1336245	FOREARM BRACKET, 12, BLUE, TARGET, 3 HOLE, TYPE 3	95.25
32	* B1337035	FOREARM BRACKET, 12, ULTRA, BLUE	104.00
32	* B1337036	FOREARM BRACKET, 12, ULTRA, SILVER	115.75
32	* B1337770	FOREARM BRACKET, 12, 425	212.75
32	* B1337039	FOREARM BRACKET, 12, SILVER, TYPE 3	115.75
32	* B1337282	FOREARM BRACKET, 12, 525, FIELD	86.25
32	* B1337295	FOREARM BRACKET, 12, 525, GOLDEN CLAYS	264.50
32	* B1337289	FOREARM BRACKET, 12, 525, SPORTING CLAYS	115.00
32	* B1337301	FOREARM BRACKET, 12, 625, SPORTING CLAYS	115.00
32	* B1336255	FOREARM BRACKET, 16, BLUE, TYPE 3	72.75
32	* B133751C	FOREARM BRACKET, 20-28-410, 325	152.00

REF. NO.	PART NO.	DESCRIPTION	MSRP (US\$)
32	* B133744C	FOREARM BRACKET, 20-28-410, ULTRA,	\$136.75
32	* B1337034	FOREARM BRACKET, 20-28-410, SILVER, TYPE 3 ('06-CURRENT)	107.75
32	* B1337845	FOREARM BRACKET, 20-28-410, BLUE, TYPE 3	72.75
32	* B1334251	FOREARM BRACKET, 20-28-410, FIELD, TYPE 2	72.75
32	* B1336251	FOREARM BRACKET, 20-28-410, FIELD, TYPE 3	72.75
32	* B1337805	FOREARM BRACKET, 20-28-410, LIGHTNING, GR IV, GRAY	92.00
32	* B1337821	FOREARM BRACKET, 20-28-410, LIGHTNING, GR VII, BLUE	201.25
32	* B1337815	FOREARM BRACKET, 20-28-410, LIGHTNING, GR VII, GRAY	201.25
32	* B1336265	FOREARM BRACKET, 20-28-410, SPECIAL SKEET	106.75
32	* B1336254	FOREARM BRACKET, 20-28-410, SUPERLIGHT	74.50
32	* B1334253	FOREARM BRACKET, 20-28-410, TARGET, TYPE 2	95.25
32	* B1336253	FOREARM BRACKET, 20-28-410, TARGET, TYPE 3	111.75
32	* B1337284	FOREARM BRACKET, 20-28-410, 525, FIELD	86.25
32	* B1337298	FOREARM BRACKET, 20-28-410, 525, GOLDEN CLAYS	264.50
32	* B1337291	FOREARM BRACKET, 20-28-410, 525, SPORTING CLAYS	115.00
33	B1334230	FOREARM SCREW, BLUE	3.00
33	B1334410	FOREARM SCREW, BLUE ('98-CURRENT)	1.00
33	B1334412	FOREARM SCREW, SILVER ('98-CURRENT)	1.00
34A	B1334234	FOREARM SCREW ESCUTCHEON	3.50
NS	B1334232	FOREARM SCREW, FRONT, (TARGET TYPE)	3.00
NS	B1334233	FOREARM SCREW NUT, THREADED (TARGET TYPE)	3.50
NS	B1336237	FOREARM SCREW NUT, THREADED, SPECIAL SUPERLIGHT	3.00
NS	B1336236	FOREARM SCREW, SPECIAL SUPERLIGHT	3.00
NS	B1334231	FOREARM SCREW, TARGET	3.00
34	* B1337058	FOREARM, 12, 325/425	108.75
34	* B133758G	FOREARM, 12, 425, ULTRA GOLDEN CLAYS	208.75
34	* B1337107	FOREARM, 12, 425, WSSF, NATURAL	143.00
34	* B1337111	FOREARM, 12, 425, WSSF, PAINTED	167.75
34	* B1337249	FOREARM, 12, 525, FIELD	217.50
34	* B1337856	FOREARM, 12, 525, FIELD, GR III	258.75
34	* B1337857	FOREARM, 12, 525, FIELD, GR VI	287.50
34	* B1337253	FOREARM, 12, 525, GOLDEN CLAYS	290.00
34	* B1337757	FOREARM, 12, 525, SPORTING CLAYS, GR I	134.75
34	* B1337251	FOREARM, 12, 525, SPORTING CLAYS, GR III	251.00
34	* B1337306	FOREARM, 12, 625, FIELD	230.00
34	* B1337307	FOREARM, 12, 625, SPORTING CLAYS	253.00
34	* B1337160	FOREARM, 12, 802 ES	123.25
34	* B1337110	FOREARM, 12, CITORI PLUS, NATURAL	194.75
34	* B1337112	FOREARM, 12, CITORI PLUS, PAINTED	144.50
34	* B133710B	FOREARM, 12, CITORI PLUS, PIGEON	158.75
34	* B1337755	FOREARM, 12, CLASSIC LIGHTNING, GR I, '05 (SCHNABEL)	161.00
34	* B1336173	FOREARM, 12, FIELD, GR I	141.00

*Indicates part must be fitted by Browning Service Department or qualified gunsmith.
 ***Factory replacement only. Firearm must be returned.
 +Part may be purchased only by holders of a current, valid Federal Firearms License.
 NOTE: Unless otherwise indicated, part is interchangeable between gauges/calibers.



IMPORTANT: When ordering, list part number, part name, gun gauge/caliber and serial number. Please specify grade. Prices F.O.B. point of shipment — subject to change without notice. Prices effective January 1, 2013.

Table with 4 columns: REF. NO., PART NO., DESCRIPTION, MSRP (US\$). Lists various shotgun parts such as forearms, traps, and sporting clays with their respective prices.

Table with 4 columns: REF. NO., PART NO., DESCRIPTION, MSRP (US\$). Continues the list of shotgun parts from the previous table, including various trap, target, and sporting clays.

*Indicates part must be fitted by Browning Service Department or qualified gunsmith.
***Factory replacement only. Firearm must be returned.
+Part may be purchased only by holders of a current, valid Federal Firearms License.
NOTE: Unless otherwise indicated, part is interchangeable between gauges/calibers.



IMPORTANT: When ordering, list part number, part name, gun gauge/caliber and serial number. Please specify grade.
Prices F.O.B. point of shipment — subject to change without notice. Prices effective January 1, 2013.

REF. NO.	PART NO.	DESCRIPTION	MSRP (US\$)
34	* B133691C	FOREARM, 28, FIELD, GR III	\$244.75
34	* B133691E	FOREARM, 28, FIELD, GR VI	322.00
34	* B1336840	FOREARM, 28, GRAN LIGHTNING	192.25
34	* B1336194	FOREARM, 28, LIGHTNING, GR I, GLOSS	139.75
34	* B1337341	FOREARM, 28, LIGHTNING, GR II/III, GLOSS OIL	150.00
34	* B133694C	FOREARM, 28, LIGHTNING, GR III, GLOSS	244.75
34	* B133694E	FOREARM, 28, LIGHTNING, GR VI, GLOSS	322.00
34	* B1336193	FOREARM, 28, SPORTER, GR I	113.50
34	* B133693E	FOREARM, 28, SPORTER, GR VI	305.50
34	* B1336192	FOREARM, 28, SUPERLIGHT, GR I	128.25
34	* B133692C	FOREARM, 28, SUPERLIGHT, GR III	251.50
34	* B133692E	FOREARM, 28, SUPERLIGHT, GR VI	305.50
34	* B1336195	FOREARM, 28, TARGET, GR I	146.00
34	* B133695C	FOREARM, 28, TARGET, GR III	304.50
34	* B133695E	FOREARM, 28, TARGET, GR VI	344.75
34	* B1337186	FOREARM, 28, ULTRA XS, SPORTING	160.25
34	* B1337272	FOREARM, 410, 525, FIELD	191.25
34	* B1337276	FOREARM, 410, 525, GOLDEN CLAYS	269.75
34	* B1337274	FOREARM, 410, 525, SPORTING CLAYS	234.25
34	* B1337335	FOREARM, 410, 625, FIELD	230.00
34	* B1337336	FOREARM, 410, 625, SPORTING CLAYS	253.00
34	* B1336197	FOREARM, 410, FIELD, GR I	139.75
34	* B133697C	FOREARM, 410, FIELD, GR III	244.75
34	* B133697E	FOREARM, 410, FIELD, GR VI	322.00
34	* B1336839	FOREARM, 410, GRAN LIGHTNING,	192.25
34	* B1336201	FOREARM, 410, LIGHTNING, GR I, GLOSS	139.75
34	* B1337342	FOREARM, 410, LIGHTNING, GR II/III, GLOSS OIL	150.00
34	* B133601C	FOREARM, 410, LIGHTNING, GR III, GLOSS	244.75
34	* B133601E	FOREARM, 410, LIGHTNING, GR VI, GLOSS	322.00
34	* B1336198	FOREARM, 410, SPORTER, GR I	113.50
34	* B133698E	FOREARM, 410, SPORTER, GR VI	305.50
34	* B1336196	FOREARM, 410, SUPERLIGHT, GR I	128.25
34	* B133696C	FOREARM, 410, SUPERLIGHT, GR III	251.50
34	* B133696E	FOREARM, 410, SUPERLIGHT, GR VI	305.50
34	* B1336199	FOREARM, 410, TARGET, GR I	146.00
34	* B133699C	FOREARM, 410, TARGET, GR III	304.50
34	* B133699E	FOREARM, 410, TARGET, GR VI	344.75
34	* B1337187	FOREARM, 410, ULTRA XS, SPORTING	160.25
NS	* B1337264	FOREARM WEIGHT ASSEMBLY (XS PRO-COMP)	489.25
NS	* B1337265	FOREARM WEIGHT SCREW (XS PRO-COMP)	3.00
35	* B1337302	HAMMER, 12, LEFT, 625	19.75
35	* B1334264	HAMMER, 12, LEFT, TYPE 1	18.00
35	* B1334263	HAMMER, 12, LEFT, TYPE 2-3	19.50
35	* B1334265	HAMMER, 16-20-28-410, LEFT, TYPE 2-3	18.00
36	B1334268	HAMMER PIN, 12, TYPE 1	3.50
36	B1334267	HAMMER PIN, 12, TYPE 2-3	3.75
36	B1334269	HAMMER PIN, 16-20-28-410, TYPE 2-3	3.50
37	* B1337303	HAMMER, 12, RIGHT, 625	19.75
37	* B1334260	HAMMER, 12, RIGHT, TYPE 1	18.00
37	* B1334259	HAMMER, 12, RIGHT, TYPE 2-3	19.50
37	* B1334261	HAMMER, 16-20-28-410, RIGHT	18.00

REF. NO.	PART NO.	DESCRIPTION	MSRP (US\$)
38	B1793642	IMPACT RING RETAINING WOOD SCREW IN RECOIL REDUCER, BT99 PLUS / CITORI PLUS (OBSOLETE)	\$1.00
39	B1334272	INERTIA BLOCK, 12	11.00
39	* B1337233	INERTIA BLOCK, 12, 525 / 625	25.75
39	* B1337266	INERTIA BLOCK, 12, XS PRO-COMP ONLY	28.25
39	B1334273	INERTIA BLOCK, 16-20-28-410	11.00
39A	B1334274	INERTIA BLOCK PIN	1.75
40	* B1334282	LINK, 12	3.00
40	* B1337235	LINK, 12, 525 / 625	2.50
40	* B1334281	LINK, 16-20-28-410	3.00
41	B1334285	LINK PIN INERTIA BLOCK	1.75
42	B1334283	LINK PIN RECEIVER	1.75
43	* B1334288	LOCKING BOLT, 12, TYPE 2-3	37.00
43	* B1334291	LOCKING BOLT, 16-20-28-410, TYPE 2-3	31.25
44	B1334293	MAINSRING, 12	3.00
44	B1334294	MAINSRING, 16-20-28-410	3.00
45	B1334295	MAINSRING GUIDE	6.25
45	B1334297	MAINSRING GUIDE ('96-CURRENT)	5.00
46	B1793676	RECOIL PAD ASSEMBLY, BT99 PLUS / CITORI PLUS	90.75
NS	B1337218	RECOIL PAD, XS W/ ADJUSTABLE COMB	26.75
NS	B1337219	RECOIL PAD, XT W/ ADJUSTABLE COMB	32.00
47	B1337124	RECOIL REDUCER ASSEMBLY, CITORI PLUS	144.75
NS	B1337268	RECOIL REDUCER MT SCREW, XS PRO-COMP	1.00
48	B1793646	RECOIL REDUCER PAD PLATE, BT99 PLUS / CITORI PLUS	32.50
48A	B1793667	RECOIL REDUCER PAD PLATE SCREW, BT99 PLUS / CITORI PLUS	1.00
49	B1793638	RECOIL REDUCER PAD PLATE SET SCREW, BT99 PLUS / CITORI PLUS	1.00
50	B1793645	RECOIL REDUCER STOCK PLATE, BT99 PLUS / CITORI PLUS	20.50
51	B1793666	RECOIL REDUCER STOCK PLATE SCREW, BT99 PLUS / CITORI PLUS	1.00
52	B1793610	RIB ASSEMBLY, 30" & 32" BT99 PLUS, 30" CITORI PLUS	214.25
52	B1793609	RIB ASSEMBLY, 34" BT99 PLUS, 32" CITORI PLUS	214.25
NS	B1337825	RIB ASSEMBLY, 32", UNSINGLE	442.75
NS	B1337826	RIB ASSEMBLY, 34", UNSINGLE	442.75
NS	B1337833	RIB CENTER PIVOT, UNSINGLE	4.25
NS	B1337834	RIB CENTER PIVOT SCREW, UNSINGLE (2 REQUIRED)	5.25
NS	B1337835	RIB CENTER PIVOT WASHER, UNSINGLE, (2 REQUIRED)	1.25
NS	B1337836	RIB CENTER PIVOT SCREW WASHER, UNSINGLE, (4 REQUIRED)	1.25
53	B1793614	RIB ELEVATOR DETENT SPRING, BT99 PLUS / CITORI PLUS	1.50
54	B1793623	RIB ELEVATOR NUT, BT99 PLUS / CITORI PLUS	10.50
55	B1793608	RIB ELEVATOR SCREW, BT99 PLUS / CITORI PLUS	3.75
56	B1793618	RIB ELEVATOR SCREW PIN, BT99 PLUS / CITORI PLUS	1.00
57	B1793625	RIB ELEVATOR SPRING, BT99 PLUS / CITORI PLUS	14.00

*Indicates part must be fitted by Browning Service Department or qualified gunsmith.
 ***Factory replacement only. Firearm must be returned.
 +Part may be purchased only by holders of a current, valid Federal Firearms License.
 NOTE: Unless otherwise indicated, part is interchangeable between gauges/calibers.



IMPORTANT: When ordering, list part number, part name, gun gauge/caliber and serial number. Please specify grade. Prices F.O.B. point of shipment — subject to change without notice. Prices effective January 1, 2013.

Table with 4 columns: REF. NO., PART NO., DESCRIPTION, MSRP (US\$). Contains parts 57 through 74A.

Table with 4 columns: REF. NO., PART NO., DESCRIPTION, MSRP (US\$). Contains parts 74B through 83.

*Indicates part must be fitted by Browning Service Department or qualified gunsmith.
***Factory replacement only. Firearm must be returned.
+Part may be purchased only by holders of a current, valid Federal Firearms License.
NOTE: Unless otherwise indicated, part is interchangeable between gauges/calibers.



IMPORTANT: When ordering, list part number, part name, gun gauge/caliber and serial number. Please specify grade.
Prices F.O.B. point of shipment — subject to change without notice. Prices effective January 1, 2013.

REF. NO.	PART NO.	DESCRIPTION	MSRP (US\$)
83	* B1337850	STOCK, 12, 525, FIELD, GR III	\$603.75
83	* B1337851	STOCK, 12, 525, FIELD, GR VI	718.75
83	* B1337246	STOCK, 12, 525, GOLDEN CLAYS '02	900.75
83	* B1337244	STOCK, 12, 525, SPORTING CLAYS '02	746.00
83	* B1337314	STOCK, 12, 525, SPORTING CLAYS, ADJUSTABLE COMB	891.25
83	* B1337756	STOCK, 12, 525, SPORTING CLAYS, GR, I '05	293.25
83	* B1337593	STOCK, 12, 525, SPORTING CLAYS, LH, '04	690.00
83	* B1337308	STOCK, 12, 625, FIELD, '08	460.00
83	* B1337309	STOCK, 12, 625, SPORTING CLAYS, '08	690.00
83	* B1337310	STOCK, 12, 625, SPORTING CLAYS, ADJUSTABLE COMB, '08	895.00
83	* B1337164	STOCK, 12, 802 ES	274.50
83	* B1336342	STOCK, 12, FIELD, GR I, GLOSS	258.50
83	* B133642C	STOCK, 12, FIELD, GR III, GLOSS	478.25
83	* B133642E	STOCK, 12, FIELD, GR VI, GLOSS	790.75
83	* B1336472	STOCK, 12, GRAN LIGHTNING	804.75
83	* B1337854	STOCK, 12, GRAND PRIX	632.50
83	* B1337042	STOCK, 12, GTI / ULTRA	367.50
83	* B1337037	STOCK, 12, GTI, GOLDEN CLAYS	755.75
83	* B1337041	STOCK, 12, GTI, SPORTING CLAYS, PAINTED	365.25
83	* B1337852	STOCK, 12, GTS, GR I	431.25
83	* B1337853	STOCK, 12, GTS, HIGH GRADE	632.50
83	* B1337048	STOCK, 12, LIGHTNING SPORTING	354.25
83	* B1337071	STOCK, 12, LIGHTNING SPORTING, HIGH RIB, ADJUSTABLE COMB	599.00
83	* B133748G	STOCK, 12, LIGHTNING SPORTING, HIGH RIB, GOLDEN CLAYS	731.25
83	* B133771G	STOCK, 12, LIGHTNING SPORTING, HIGH RIB, GOLDEN CLAYS, ADJUSTABLE COMB	978.50
83	* B1337049	STOCK, 12, LIGHTNING SPORTING, HIGH RIB, PAINTED	350.50
83	* B133748B	STOCK, 12, LIGHTNING SPORTING, HIGH RIB, PIGEON	543.00
83	* B1337047	STOCK, 12, LIGHTNING SPORTING, LOW RIB	357.75
83	* B1337072	STOCK, 12, LIGHTNING SPORTING, LOW RIB, ADJUSTABLE COMB	599.00
83	* B133747G	STOCK, 12, LIGHTNING SPORTING, LOW RIB, GOLDEN CLAYS	731.25
83	* B133772G	STOCK, 12, LIGHTNING SPORTING, LOW RIB, GOLDEN CLAYS, ADJUSTABLE COMB	978.50
83	* B1337050	STOCK, 12, LIGHTNING SPORTING, LOW RIB, PAINTED	350.50
83	* B133747B	STOCK, 12, LIGHTNING SPORTING, LOW RIB, PIGEON	731.25
83	* B1336348	STOCK, 12, LIGHTNING, GR I, GLOSS	272.75
83	* B1337754	STOCK, 12, LIGHTNING, GR I, OIL (CLASSIC LIGHTNING)	465.75
83	* B1337165	STOCK, 12, LIGHTNING, GR I, SATIN	244.75
83	* B1337337	STOCK, 12, LIGHTNING, GR II/III, GLOSS OIL	410.00
83	* B133648C	STOCK, 12, LIGHTNING, GR III, GLOSS	492.25
83	* B1337752	STOCK, 12, LIGHTNING, GR III, SATIN (CLASSIC FEATHER LIGHTNING)	385.25
83	* B133648E	STOCK, 12, LIGHTNING, GR VI, GLOSS	804.75
83	*** B1337343	STOCK, 12, MODB	350.00
83	*** B1337345	STOCK, 12, MONBU	350.00
83	* B1337193	STOCK, 12, PRIVILEGE	1169.50

REF. NO.	PART NO.	DESCRIPTION	MSRP (US\$)
83	* B1337155	STOCK, 12, SATIN HUNTER	\$230.00
83	* B133633C	STOCK, 12, SKEET, GR III	478.25
83	* B133633E	STOCK, 12, SKEET, GR VI	790.75
83	* B133768G	STOCK, 12, SPECIAL SKEET, GOLDEN CLAYS, ADJUSTABLE COMB	1002.25
83	* B1337068	STOCK, 12, SPECIAL SKEET, GR I, ADJUSTABLE COMB	563.00
83	* B133768C	STOCK, 12, SPECIAL SKEET, GR III, ADJUSTABLE COMB	713.50
83	* B133745G	STOCK, 12, SPECIAL SPORTING CLAYS, GOLDEN CLAYS	744.00
83	* B133770G	STOCK, 12, SPECIAL SPORTING CLAYS, GOLDEN CLAYS, ADJUSTABLE COMB	1002.25
83	* B1337045	STOCK, 12, SPECIAL SPORTING CLAYS, NATURAL	354.25
83	* B1337046	STOCK, 12, SPECIAL SPORTING CLAYS, PAINTED	392.75
83	* B133745B	STOCK, 12, SPECIAL SPORTING CLAYS, PIGEON	580.00
83	* B1337070	STOCK, 12, SPECIAL SPORTING, HIGH RIB, ADJUSTABLE COMB	614.00
83	* B1337135	STOCK, 12, SPECIAL SPORTING, LOW RIB, ADJUSTABLE COMB	631.75
83	* B133766G	STOCK, 12, SPECIAL TRAP, GOLDEN CLAYS, ADJUSTABLE COMB	993.75
83	* B133765G	STOCK, 12, SPECIAL TRAP, GOLDEN CLAYS, MONTE CARLO	793.50
83	* B1337066	STOCK, 12, SPECIAL TRAP, GR I, ADJUSTABLE COMB	633.50
83	* B1337065	STOCK, 12, SPECIAL TRAP, GR I, MONTE CARLO	380.75
83	* B133766C	STOCK, 12, SPECIAL TRAP, GR III, ADJUSTABLE COMB	749.75
83	* B133765C	STOCK, 12, SPECIAL TRAP, GR III, MONTE CARLO	554.50
83	* B1336345	STOCK, 12, SPORTER, GR I	310.50
83	* B133645E	STOCK, 12, SPORTER, GR VI	759.75
83	* B1337188	STOCK, 12, SPORTING HUNTER, 3	286.75
83	* B1337167	STOCK, 12, SPORTING HUNTER, 3.5	299.00
83	* B1337750	STOCK, 12, SUPER LIGHTNING, GR I	385.25
83	* B1336346	STOCK, 12, SUPERLIGHT, GR I, TYPE 3	309.75
83	* B133646C	STOCK, 12, SUPERLIGHT, GR III, TYPE 3	576.00
83	* B133646E	STOCK, 12, SUPERLIGHT, GR VI, TYPE 3	759.75
83	* B1336378	STOCK, 12, TRAP, GR I, CONVENTIONAL	370.50
83	* B1336382	STOCK, 12, TRAP, GR I, MONTE CARLO	370.50
83	* B133678C	STOCK, 12, TRAP, GR III, CONVENTIONAL	480.50
83	* B133682C	STOCK, 12, TRAP, GR III, MONTE CARLO	480.50
83	* B133678E	STOCK, 12, TRAP, GR VI, CONVENTIONAL	793.25
83	* B133682E	STOCK, 12, TRAP, GR VI, MONTE CARLO	793.25
83	* B1337123	STOCK, 12, TRAP, PLUS, GR I	944.50
83	* B1337120	STOCK, 12, TRAP, PLUS, PAINTED	1033.75
83	* B133723B	STOCK, 12, TRAP, PLUS, PIGEON	1200.75
83	* B1337828	STOCK, 12, TRAP, UNSINGLE, ADJUSTABLE COMB	876.50
83	* B1337843	STOCK, 12, TRAP, UNSINGLE, ADJUSTABLE COMB, GOLDEN CLAYS	977.50
83	* B1337827	STOCK, 12, TRAP, UNSINGLE, MONTE CARLO	534.75
83	* B1337842	STOCK, 12, TRAP, UNSINGLE, MONTE CARLO, GOLDEN CLAYS	862.50

*Indicates part must be fitted by Browning Service Department or qualified gunsmith.
 ***Factory replacement only. Firearm must be returned.
 +Part may be purchased only by holders of a current, valid Federal Firearms License.
 NOTE: Unless otherwise indicated, part is interchangeable between gauges/calibers.



IMPORTANT: When ordering, list part number, part name, gun gauge/caliber and serial number. Please specify grade.
Prices F.O.B. point of shipment — subject to change without notice. Prices effective January 1, 2013.

REF. NO.	PART NO.	DESCRIPTION	MSRP (US\$)
83	* B133742G	STOCK, 12, ULTRA GOLDEN CLAYS	\$802.00
83	* B133763G	STOCK, 12, ULTRA GOLDEN CLAYS, ADJUSTABLE COMB	1053.50
83	* B1337063	STOCK, 12, ULTRA SPORTER, ADJUSTABLE COMB	781.00
83	* B1337201	STOCK, 12, ULTRA XS SKEET	589.75
83	* B1337202	STOCK, 12, ULTRA XS SKEET, ADJUSTABLE COMB	814.00
83	* B1337182	STOCK, 12, ULTRA XS SPORTING	514.25
83	* B1337062	STOCK, 12, ULTRA XT, ADJUSTABLE COMB	986.75
83	* B1337269	STOCK, 12, XS PRO-COMP (RECOIL PAD & REDUCER NOT INCLUDED)	644.50
83	* B1337855	STOCK, 12, XS SPECIAL, HIGH RIB	747.50
83	* B1337760	STOCK, 12, XS SPECIAL, LOW RIB	718.75
83	* B1337591	STOCK, 12, XT TRAP, '03	685.75
83	* B1337592	STOCK, 12, XT TRAP, ADJUSTABLE COMB, '03	920.00
83	* B1337758	STOCK, 12, XT TRAP, GOLD, ADJUSTABLE COMB, '05	1069.50
83	* B1337595	STOCK, 12, XT TRAP, MILLER'S GOLD, ADJUSTABLE COMB	937.25
83	* B1337597	STOCK, 12, XT TRAP, MILLER'S GOLD, MONTE CARLO	690.00
83	* B1337793	STOCK, 16, 525, FIELD, '06	373.75
83	* B1337792	STOCK, 16, 525, SPORTING CLAYS, '06	460.00
83	* B1336000	STOCK, 16, GRAN LIGHTNING, '02	704.00
83	* B1337277	STOCK, 16, LIGHTNING, GR I	319.00
83	* B1336001	STOCK, 16, SUPERLIGHT, '02	640.75
83	* B1336354	STOCK, 16, UPLAND, GR I	381.00
83	* B1337043	STOCK, 20-28-410, 325 / 425	575.50
83	* B133743G	STOCK, 20-28-410, 425, GOLDEN CLAYS	802.00
83	* B133761G	STOCK, 20-28-410, 425, GOLDEN CLAYS, ADJUSTABLE COMB	1074.00
83	* B1337061	STOCK, 20-28-410, 425, GR I	738.75
83	* B1337243	STOCK, 20-28-410, 525, FIELD '02	531.25
83	* B1337247	STOCK, 20-28-410, 525, GOLDEN CLAYS, '02	902.00
83	* B1337245	STOCK, 20-28-410, 525, SPORTING CLAYS, '02	747.00
83	* B1337315	STOCK, 20-28-410, 525, SPORTING CLAYS, '02	891.25
83	* B1337329	STOCK, 20-28-410, 625, FIELD, '09	460.00
83	* B1337330	STOCK, 20-28-410, 625, SPORTING CLAYS, '09	500.00
83	* B1336361	STOCK, 20-28-410, FIELD, GR I	255.75
83	* B133661C	STOCK, 20-28-410, FIELD, GR III	478.25
83	* B133661E	STOCK, 20-28-410, FIELD, GR VI	790.75
83	* B1336574	STOCK, 20-28-410, GRAN LIGHTNING	804.75
83	* B1336362	STOCK, 20-28-410, LIGHTNING, GR I, GLOSS	255.75
83	* B1337788	STOCK, 20-28-410, LIGHTNING, GR I, OIL, (CLASSIC LIGHTNING)	465.75
83	* B1337180	STOCK, 20-28-410, LIGHTNING, GR I, SATIN	251.75
83	* B1337338	STOCK, 20-28-410, LIGHTNING, GR II/III, GLOSS OIL	410.00
83	* B133662C	STOCK, 20-28-410, LIGHTNING, GR III, GLOSS	492.25
83	* B1337787	STOCK, 20-28-410, LIGHTNING, GR III, SATIN (CLASSIC FEATHER LIGHTNING)	385.25
83	* B133662E	STOCK, 20-28-410, LIGHTNING, GR VI, GLOSS	804.75
83	* B1336336	STOCK, 20-28-410, MICRO, LIGHTNING, GR I	270.00
83	* B133636C	STOCK, 20-28-410, MICRO, LIGHTNING, GR III	492.25
83	* B133636E	STOCK, 20-28-410, MICRO, LIGHTNING, GR VI	804.75

REF. NO.	PART NO.	DESCRIPTION	MSRP (US\$)
83	* B1337241	STOCK, 20-28-410, PRIVILEGE '01	\$1057.50
83	* B1336349	STOCK, 20-28-410, SKEET, GR I	368.00
83	* B133649C	STOCK, 20-28-410, SKEET, GR III	478.25
83	* B133649E	STOCK, 20-28-410, SKEET, GR VI	790.75
83	* B133769G	STOCK, 20-28-410, SPECIAL SKEET, GOLDEN CLAYS, ADJUSTABLE COMB	1002.25
83	* B1337069	STOCK, 20-28-410, SPECIAL SKEET, GR I, ADJUSTABLE COMB	563.00
83	* B133769C	STOCK, 20-28-410, SPECIAL SKEET, GR III, ADJUSTABLE COMB	713.50
83	* B1336358	STOCK, 20-28-410, SPORTER, GR I	310.50
83	* B133658E	STOCK, 20-28-410, SPORTER, GR VI, TYPE 3	759.75
83	* B1337169	STOCK, 20-28-410, SPORTING HUNTER	287.50
83	* B1337786	STOCK, 20-28-410, SUPER LIGHTNING, GR I	385.25
83	* B1336359	STOCK, 20-28-410, SUPERLIGHT, GR I, TYPE 3	309.75
83	* B133659C	STOCK, 20-28-410, SUPERLIGHT, GR III, TYPE 3	576.00
83	* B133659E	STOCK, 20-28-410, SUPERLIGHT, GR VI, TYPE 3	759.75
83	* B1337205	STOCK, 20-28-410, ULTRA XS SKEET	649.50
83	* B1337206	STOCK, 20-28-410, ULTRA XS SKEET, ADJUSTABLE COMB	939.50
83	* B1337183	STOCK, 20-28-410, ULTRA XS SPORTING	514.25
85	* B1334413	TAKEDOWN LEVER BRACKET ASSEMBLY, BLUE, GLOSS, TYPE 2-3	0.00
85	* B1334393	TAKEDOWN LEVER BRACKET ASSEMBLY, SILVER, TYPE 2-3	0.00
NS	* B1336413	TAKEDOWN LEVER BRACKET ASSEMBLY, SUPERLIGHT, TYPE 3	57.50
NS	* B1337281	TAKEDOWN LEVER BRACKET ASSEMBLY, 525, FIELD	35.75
NS	* B1337294	TAKEDOWN LEVER BRACKET ASSEMBLY, 525, GOLDEN CLAYS	92.00
NS	* B1337774	TAKEDOWN LEVER BRACKET ASSEMBLY, LIGHTNING, GR IV, SILVER, '05	57.50
NS	* B1337781	TAKEDOWN LEVER BRACKET ASSEMBLY, LIGHTNING, GR VII, BLUE, '05	126.50
NS	* B1337802	TAKEDOWN LEVER BRACKET ASSEMBLY, LIGHTNING, GR VII, SILVER, '05	126.50
NS	* B1337288	TAKEDOWN LEVER BRACKET ASSEMBLY, 525, SPORTING CLAYS	71.50
NS	* B1337178	TAKEDOWN LEVER BRACKET ASSEMBLY, BLUE, MATTE, TYPE 2-3	0.00
NS	* B1337767	TAKEDOWN LEVER BRACKET ASSEMBLY, XT TRAP GOLD, '05	74.75
86	B1334416	TAKEDOWN LEVER SCREW, FRONT, BLUE	3.00
86	B1334417	TAKEDOWN LEVER SCREW, FRONT, SILVER	3.00
86	B1336416	TAKEDOWN LEVER SCREW, FRONT, SUPERLIGHT	2.75
86	B1334410	TAKEDOWN LEVER SCREW, FRONT / REAR, BLUE ('98-CURRENT)	1.00
86	B1334409	TAKEDOWN LEVER SCREW, FRONT / REAR, SILVER ('98-CURRENT)	1.00
87	B1334418	TAKEDOWN LEVER SCREW, REAR, BLUE	3.00
87	B1334419	TAKEDOWN LEVER SCREW, REAR, SILVER	3.00
87	B1336418	TAKEDOWN LEVER SCREW, REAR, SUPERLIGHT	2.75
89	B1334420	TAKEDOWN LEVER PIN	2.25
90	B1334424	TAKEDOWN LEVER SPRING	2.75

*Indicates part must be fitted by Browning Service Department or qualified gunsmith.
 ***Factory replacement only. Firearm must be returned.
 +Part may be purchased only by holders of a current, valid Federal Firearms License.
 NOTE: Unless otherwise indicated, part is interchangeable between gauges/calibers.



IMPORTANT: When ordering, list part number, part name, gun gauge/caliber and serial number. Please specify grade. Prices F.O.B. point of shipment — subject to change without notice. Prices effective January 1, 2013.

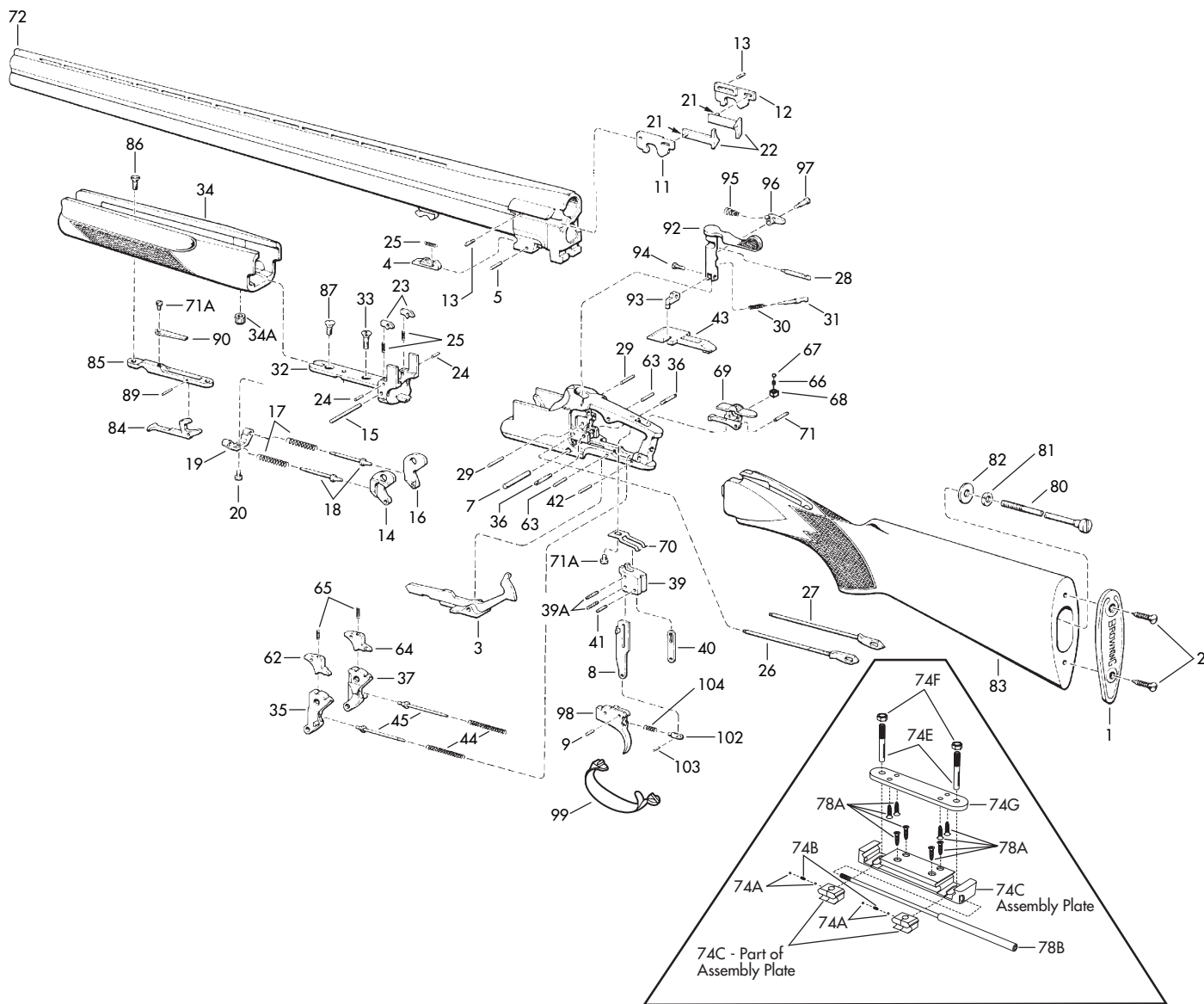
Table with 4 columns: REF. NO., PART NO., DESCRIPTION, MSRP (US\$). Lists various shotgun parts like levers, triggers, and guards with their respective prices.

Table with 4 columns: REF. NO., PART NO., DESCRIPTION, MSRP (US\$). Lists various shotgun parts like trigger guards, pins, and springs with their respective prices.

*Indicates part must be fitted by Browning Service Department or qualified gunsmith. ***Factory replacement only. Firearm must be returned. +Part may be purchased only by holders of a current, valid Federal Firearms License. NOTE: Unless otherwise indicated, part is interchangeable between gauges/calibers.



NOTE: WHEN ORDERING PARTS USE THE PART NUMBER AND NOT THE SCHEMATIC REFERENCE NUMBER.

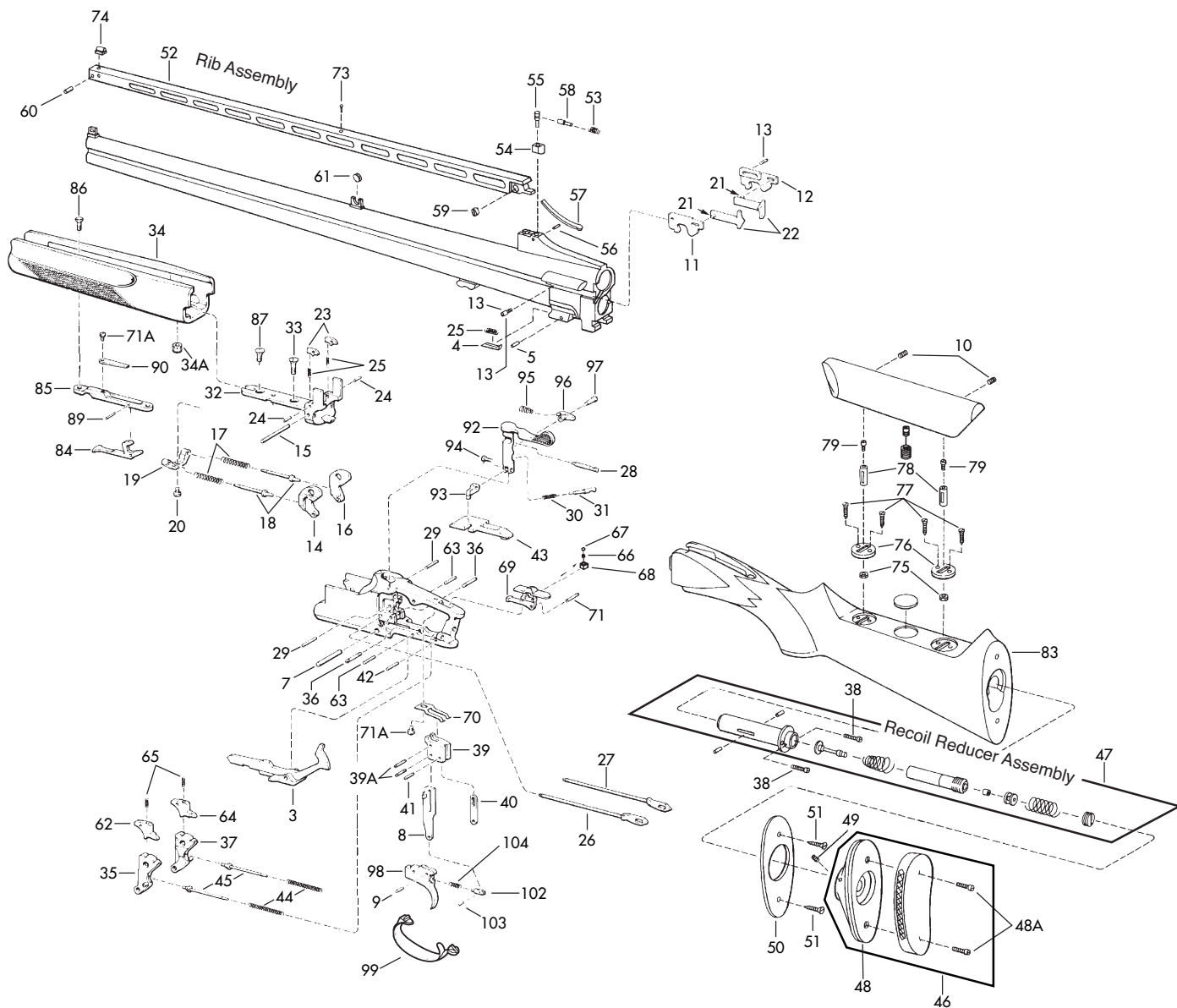


Parts for New Style Adjustable Comb Stock

Schematic is provided for parts identification only and should not be used as a guide to assemble guns.
CAUTION: Browning parts are not recommended for use in other guns though models may be similar. Inadequately fitted parts may be dangerous.



NOTE: WHEN ORDERING PARTS USE THE PART NUMBER AND NOT THE SCHEMATIC REFERENCE NUMBER.



Schematic is provided for parts identification only and should not be used as a guide to assemble guns.
CAUTION: Browning parts are not recommended for use in other guns though models may be similar. Inadequately fitted parts may be dangerous.