



# Lever-Action 22 Caliber Rifle Grade I and Grade II Models

# BL-22™

**IMPORTANT:** When ordering, list part number, part name, gun gauge/caliber and serial number. Please specify grade.  
Prices F.O.B. point of shipment — subject to change without notice. Prices effective January 1, 2013.

REF. NO.	PART NO.	DESCRIPTION	MSRP (US\$)
1	* B2464506	BOLT	\$58.00
2	B2464508	BOLT ACTUATING PIN	1.25
3	* B2464510	BOLT ASSEMBLY	86.75
4	B2464515	BOLT COVER PIN	1.50
5	B2464512	BOLT COVER PLATE	1.50
6	B2464520	BUTT PLATE	8.25
7	B2464524	BUTT PLATE SCREW	1.50
9	B2464532	CARRIER	5.75
10	B2464533	CARRIER GUIDE PIN	2.00
11	B2464535	CARRIER PIN	2.00
12	* B2464538	CARRIER SPACER (OBSOLETE)	---
13	B2464540	CARRIER SPRING	2.00
14	* B2464545	COCKING LEVER, GR I	59.50
14	* B2464546	COCKING LEVER, GR II	77.50
15	B2464555	COCKING LEVER LINK	7.00
16	B2464558	COCKING LEVER LINK PIN	2.25
17	B2464548	COCKING LEVER PIN	2.00
18	B2464551	COCKING LEVER STOP SCREW	2.00
19	B2464562	EJECTOR	3.50
20	B2464565	EJECTOR PIN	2.25
21	B2464568	EJECTOR SPRING	2.25
22	B2464570	EXTRACTOR	7.50
23	B2464573	EXTRACTOR PLUNGER	2.25
24	B2464576	EXTRACTOR SPRING	2.25
25	B2464580	FIRING PIN	13.25
26	B2464583	FIRING PIN RETAINING PIN	1.25
27	B2464586	FIRING PIN SPRING	1.25
28	* B2464594	FOREARM BAND, 22LR	13.25
28	* B2464703	FOREARM BAND, 22LR, OCTAGON COWBOY	18.00
29	B2464597	FOREARM BAND PIN	2.25
30	* B2464723	FOREARM, 17HM2, GR I	78.00
30	* B2464716	FOREARM, 17HM2, GR II	126.00
30	* B2464590	FOREARM, 22LR, GR I, GLOSS	51.50
30	* B2464589	FOREARM, 22LR, GR I, SATIN	88.25
30	* B2464591	FOREARM, 22LR, GR II, GLOSS	64.00
30	* B2464592	FOREARM, 22LR, GR II, SATIN	133.25
30	* B2464701	FOREARM, 22LR, OCTAGON COWBOY	150.00
31	* B2464600	FRAME	53.25
32	B2464602	FRAME INSERT PIN	2.25
33	* B2464610	HAMMER ASSEMBLY (W/ GUIDE PIN)	16.00
34	B2464612	HAMMER PIN	2.25
NS	B2464618	LOCK INSERT	5.00
35	B2464616	LOCKING BLOCK, 17HM2	5.00
35	B2464615	LOCKING BLOCK, 22LR	5.00
36	B2464717	MAGAZINE ASSEMBLY, 17HM2	78.00
36	B2464624	MAGAZINE ASSEMBLY, 22LR	20.25
36	B2464727	MAGAZINE ASSEMBLY, 22LR, MICRO MIDAS	20.25
NS	B2464720	MAGAZINE EXTENSION PIN, 17HM2	2.50
NS	B2464722	MAGAZINE EXTENSION, 17HM2	19.00
NS	B2464724	MAGAZINE INNER ASSEMBLY, 17HM2	60.00

REF. NO.	PART NO.	DESCRIPTION	MSRP (US\$)
NS	B2464714	MAGAZINE TUBE BRACKET, 17HM2, GR II	\$78.00
37	* B2464628	MAGAZINE TUBE OUTER	22.00
37	* B2464702	MAGAZINE TUBE OUTER, OCTAGON COWBOY	39.50
37	* B2464726	MAGAZINE TUBE OUTER, MICRO MIDAS	22.00
38	B2464630	MAGAZINE TUBE RETAINING SCREW	2.00
NS	B2464721	MAGAZINE TUBE STOP PIN, 17HM2	1.25
39	* B2464634	MAINSRING	2.25
40	* B2464638	MAINSRING FOLLOWER	2.25
41	* B2464642	MAINSRING GUIDE	2.50
42	B2464645	MAINSRING GUIDE PIN	2.00
43	* B2464719	MUZZLE CLAMP, 17HM2	24.00
43	* B2464650	MUZZLE CLAMP, 22LR	14.75
43	* B2464704	MUZZLE CLAMP, 22LR, OCTAGON COWBOY	23.50
44	B2464653	MUZZLE CLAMP SCREW	2.25
45	*+ B2464658	RECEIVER, 22LR, GR I (W/ FITTED BARREL)	204.50
45	*+ B2464659	RECEIVER, 22LR, GR II (W/ FITTED BARREL)	258.75
45	*+ B2464700	RECEIVER, 22LR, OCTAGON COWBOY (W/ FITTED BARREL)	638.75
45	*+ B2464710	RECEIVER, 22LR, SATIN NICKEL, GR I (W/ FITTED BARREL)	300.00
45	*+ B2464711	RECEIVER, 22LR, SATIN NICKEL, GR II (W/ FITTED BARREL)	360.00
45	*+ B2464725	RECEIVER, 22LR, MICRO MIDAS (W/ FITTED BARREL)	204.50
46	* B2464660	SEAR	4.50
47	* B2464663	SEAR LINK	3.00
48	B2464664	SEAR LINK PIN	1.25
49	B2464665	SEAR LINK SPRING	1.50
50	B2464667	SEAR PIN	2.25
51	B2464675	SIGHT, FRONT	4.50
52	* B2464680	SIGHT ASSEMBLY, REAR	17.00
NS	B2464705	SIGHT STEP, REAR, OCTAGON COWBOY	13.50
NS	B2464679	SIGHT TENSION SPRING, REAR, OCTAGON COWBOY	1.00
NS	U34926691	SIGHT, FRONT, OCTAGON COWBOY	8.75
NS	U34862760	SIGHT, REAR, OCTAGON COWBOY	38.75
52A	* B2464528	STOCK, GR I, GLOSS	117.00
52A	* B2464525	STOCK, GR I, SATIN	188.50
52A	* B2464529	STOCK, GR II, GLOSS	154.25
52A	* B2464530	STOCK, GR II, SATIN	245.50
52A	* B2464728	STOCK, GR I, GLOSS, MICRO MIDAS	117.00
53	B2464682	STOCK BOLT	3.75
54	B2464684	STOCK BOLT LOCK WASHER	1.25
55	B2464686	STOCK BOLT WASHER	1.25
56	B2464690	TAKEDOWN SCREW, GR I	2.25
56	B2464691	TAKEDOWN SCREW, GR II	5.75
57	B2464696	TRIGGER / SEAR SPRING	2.25
58	* B2464692	TRIGGER, GR I	11.75
58	* B2464693	TRIGGER, GR II	23.25
59	B2464695	TRIGGER PIN	2.25

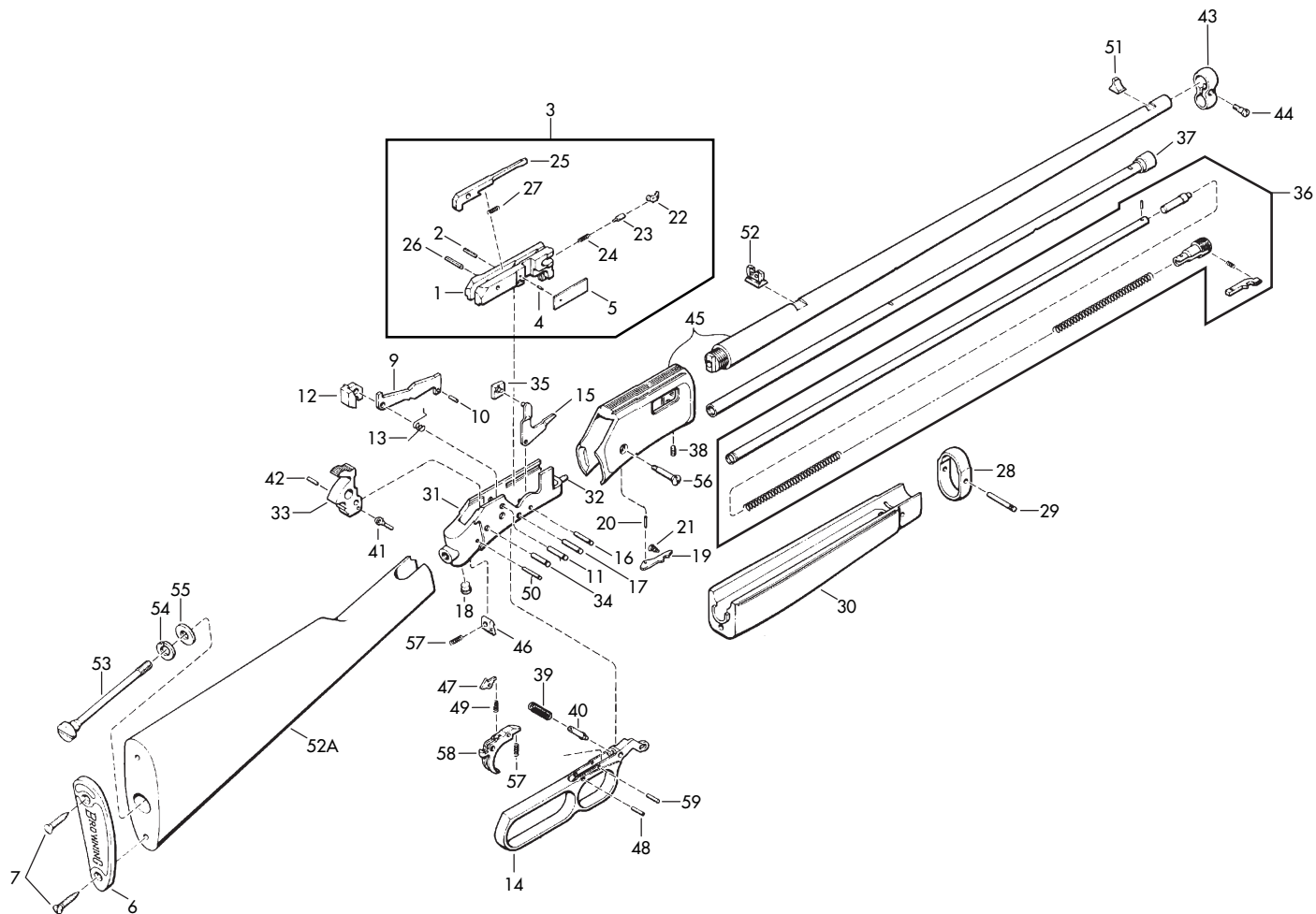
\*Indicates part must be fitted by Browning Service Department or qualified gunsmith.  
 \*\*\*Factory replacement only. Firearm must be returned to Browning Service Department for service.  
 +Part may be purchased only by holders of a current, valid Federal Firearms License.  
 NOTE: Unless otherwise indicated, part is interchangeable between all gauges/calibers.



Lever-Action 22 Caliber Rifle  
Grade I and Grade II Models

BL-22™

NOTE: WHEN ORDERING PARTS USE THE PART NUMBER AND NOT THE SCHEMATIC REFERENCE NUMBER.



Schematic is provided for parts identification only and should not be used as a guide to assemble guns.  
CAUTION: Browning parts are not recommended for use in other guns though models may be similar.  
Inadequately fitted parts may be dangerous.